



*Optimal Solutions for the Future*

# Lynx 300 series



---

**10-inch  
High Productivity  
Turning Center**

---

**Lynx 300 series**

Lynx 300  
Lynx 300M

---

ver. EN 160502 SU

**Basic information**

Structure  
Main Components

**Detailed Information**

Standard/Option  
Applications  
Diagrams  
Specifications

**Customer Support**



# Lynx 300 series

Lynx 300 series is a 10 inch high productivity turning center optimized for powerful heavy-duty cutting on the basis of highly stable bed structure, roller type LM guide, high power spindle and servo driven turret.



## Contents

### 02 Product Overview

#### Basic information

04 Structure

05 Main Components

#### Detailed Information

06 Standard/Option

07 Applications

09 Diagrams

13 Specifications

15 Customer Support

Customer parts sample



### Maintain high performance through high speed and high power spindle

high-precision heavy duty cutting enabled via 3500 r/min, 15kW high-speed, high-power spindles

### Shorter machining cycle time through the servo turret indexing motor and the high rigidity roller type LM guide

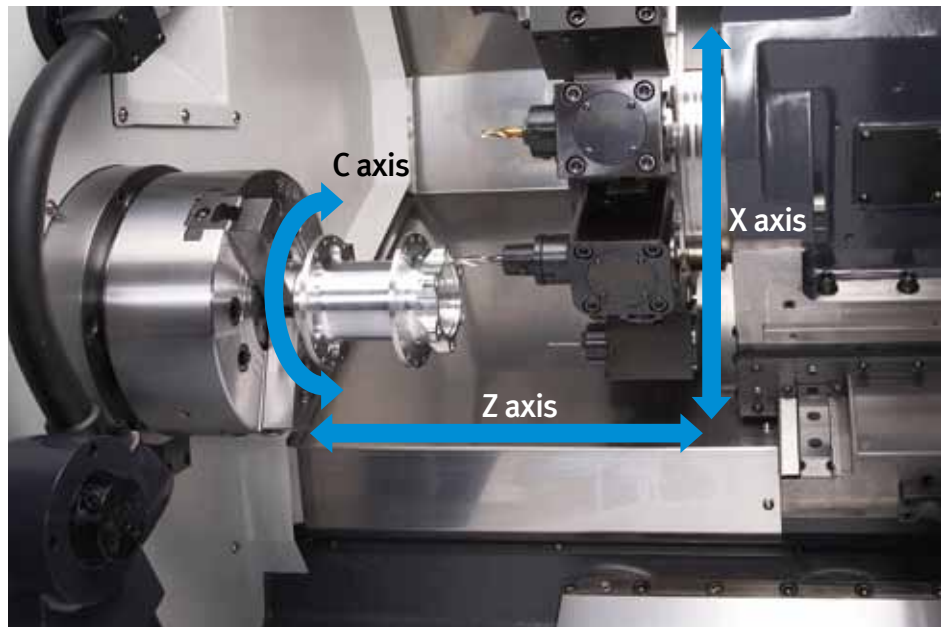
Non-cutting time is minimized by quick rotation and clamping of servo driven type turret and high speed, high rigidity roller type LM guide for all axes

### Improved user convenience with ergonomic operation panel, USB port and operation panel rotation

QWERTY keyboard, easy addition of option button, USB port, user-friendly operational panel rotation provide further enhanced user convenience

## Structure

Stable high rigidity bed structure and application of roller type LM guide for all axes realize continued high rigidity and high accuracy of the machine



Chuck size

**10 inch**

Rapid Traverse

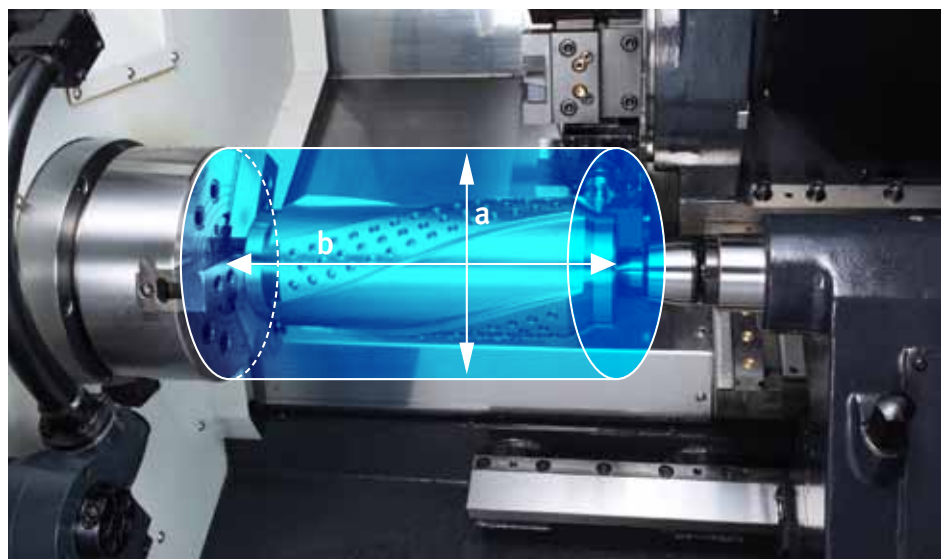
X axis : **24** m/min (945 ipm)

Z axis : **30** m/min (1181 ipm)

C axis : **200** r/min (Lynx 300M only)

## Machining area

Lynx 300 series offers two models depending on the difference of working range and the presence or absence of milling capacity



Model	Max. Turning diameter(a)	Max. Turning length(b)	Milling
Lynx 300	450 mm (17.7 inch)	765 mm (30.1 inch)	X
Lynx 300M	370 mm (14.6 inch)	712 mm (28.0 inch)	O

## Main components

Each component with the best quality and performance allows the reliable product

### Spindle

Special grease type lubrication minimizes the thermal deformation and best-in-class spindle motor with gear box realizes the most powerful cutting capacity.

Max. Spindle speed

**3500** r/min

Max. Motor power

**15** kW (20 Hp)

**18.5** kW (25 Hp) option

Max. Torque

**191** N·m (141 lbf ft)

**403** N·m (297 lbf ft) option



### Tailstock

Widely spaced guideways and heavy-duty design of the tailstock body ensure outstanding rigidity and precision

Tailstock Travel

**775** mm(30.5 inch)

Quill Dia.	80 mm (3.1 inch)
Quill Travel	120 mm (4.7 inch)
Tail stock Type	Manual (Programmable <small>option</small> )



### Servo driven Turret

High torque servo motor controls rotational acceleration and deceleration of turret and clamping/unclamping operations and its excellent dividing position brings continual high machining accuracy.

No. of tool stations

**12** ea



### BMT milling turret (Lynx 300M only)

Strongly fixed BMT type milling holder shows more powerful machining performance

Max. Rotary Tool Speed

**5000** r/min



## Basic information

Structure  
Main Components

## Detailed Information

Standard/Option  
Applications  
Diagrams  
Specifications

## Customer Support



## Standard / Optional Specifications

Diverse optional devices and features are available to meet specific customer requirements.

● Standard ○ Optional

No.	Description	Features	Lynx 300	Lynx 300M
1	Chuck	10 inch	●	●
2		No chuck	○	○
3	Jaw	Soft jaw	●	●
4		Hard jaw	○	○
5	Chucking Option	DUAL PRESSURE CHUCKING	○	○
6		CHUCK CLAMP CONFIRMATION	○	○
7	Steady rest	Hydraulic (∅4 ~ ∅165)	○	○
8	V stand	V STAND FOR SHAFT WORKPIECE	○	○
9	Tailstock	Manual	●	●
10		Programmable	○	○
11	Coolant Pump	1.5 bar	●	●
12		Increase Power (4.5/7/10/14.5 bar)	○	○
13	Coolant options	Chuck coolant	○	○
14		Coolant chiller	○	○
15		Oil skimmer	○	○
16		Coolant pressure switch	○	○
17		Coolant level switch	○	○
18		Coolant gun	○	○
19	Chip disposal options	Side type chip conveyor	○	○
20		Rear type chip conveyor	○	○
21		Chip bucket	○	○
22		Air blower	○	○
23		Mist collector	○	○
24	Measuring & automation	Tool setter (manual/automatic)	○	○
25		Part catcher with parts box	○	○
26		Part catcher with parts conveyor	○	○
27		Auto door	○	○
28		Bar feeder interface	○	○
29		Robot interface	○	○
30	Others	Tool load monitoring system	○	○
31		Linear scale	○	○
32		Signal tower	○	○
33		Air gun	○	○
34		Automatic power off	○	○

## Applications

### Tool setter option



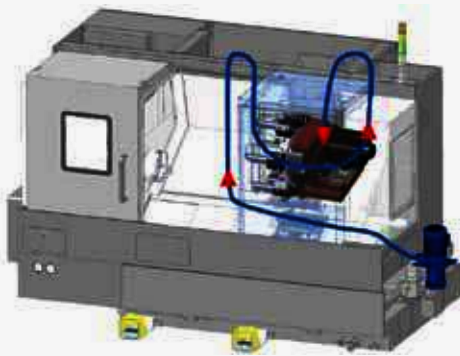
The tool setter highly reduces tooling setting time through quick tool measurement and tool abrasion detection

### Oil skimmer option



The oil skimmer keeps coolant and lubricant isolated from each other for extending life cycle of coolant.

### Coolant system



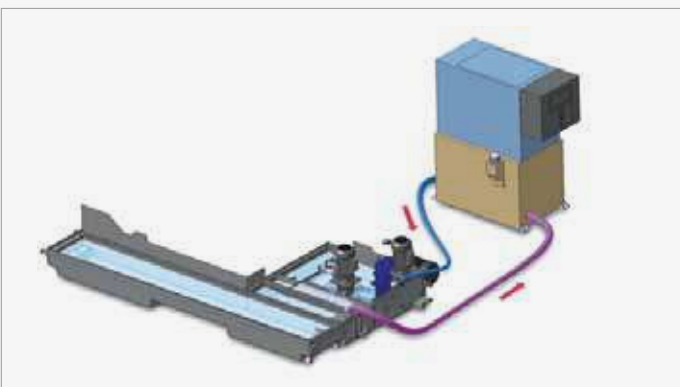
Coolant pump	Pump1	Pump2	Pump3	Pump4	Pump5
Output pressure (bar)	1.5	4.5	7	10	14.5
std./opt.	std.	opt.			

### Chip conveyor option



Chip conveyor type	Material	Description
Hinged belt	Steel	Most typical type of chip conveyor. Appropriate for steel materials generating chips of length of 30 mm or more.
Magnetic scrapper	Cast iron	Chip conveyor with magnet equipped: Appropriate for cast iron workpieces generating fine chips.

### Coolant chiller option



Detachable coolant chiller is recommended to keep thermal error minimal and get higher machining precision.

### Part catcher option



The part catcher automatically accepts parts completed of machining, and ejects them out of the system.

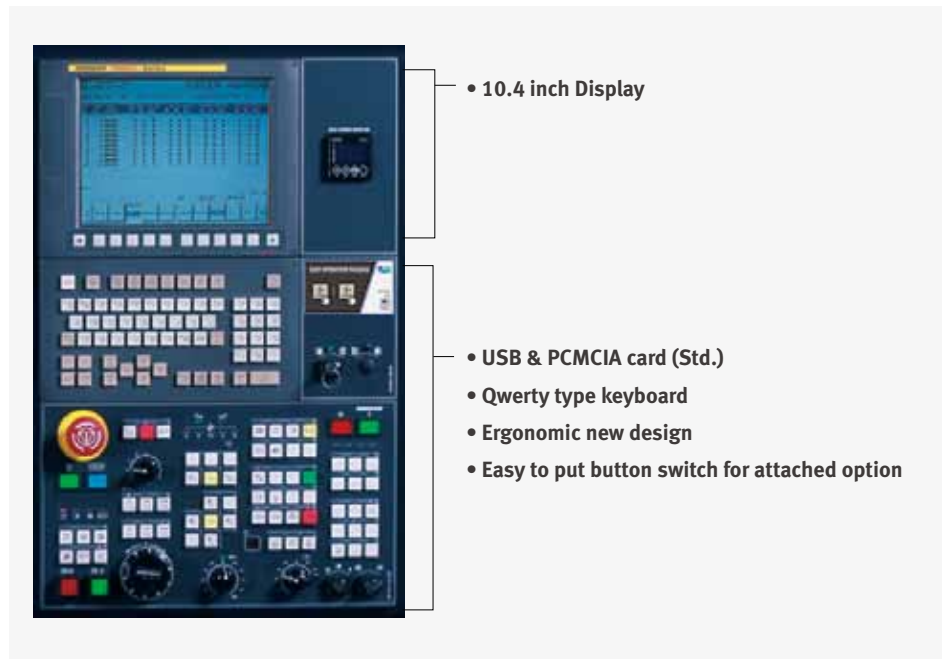


## DOOSAN-FANUC i

Apply Fanuc CNC on the Doosan machine to fulfill best performance and productivity

### User-friendly OP Panel

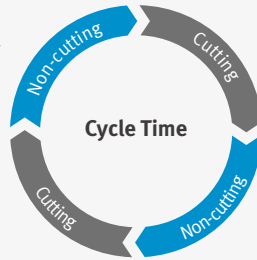
The operation panel of new design enhances operating convenience by common buttons and tpoisiioning, and uses qwerty type keyboard for easy and fast operation.



### Easy Operation Package

#### Improve Productivity

Reduced non-cutting cycle time  
**10%**



Non-cutting time during machining process is dramatically reduced to guarantee the highest productivity.

#### Work management



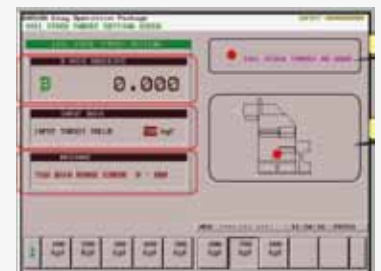
The function is capable of checking operation hours of the system, and quantity of finished workpieces.

#### Tool load monitoring option



During cutting operation, abnormal load caused by wear or damage of the tool is detected and an alarm is triggered to prevent further damage.

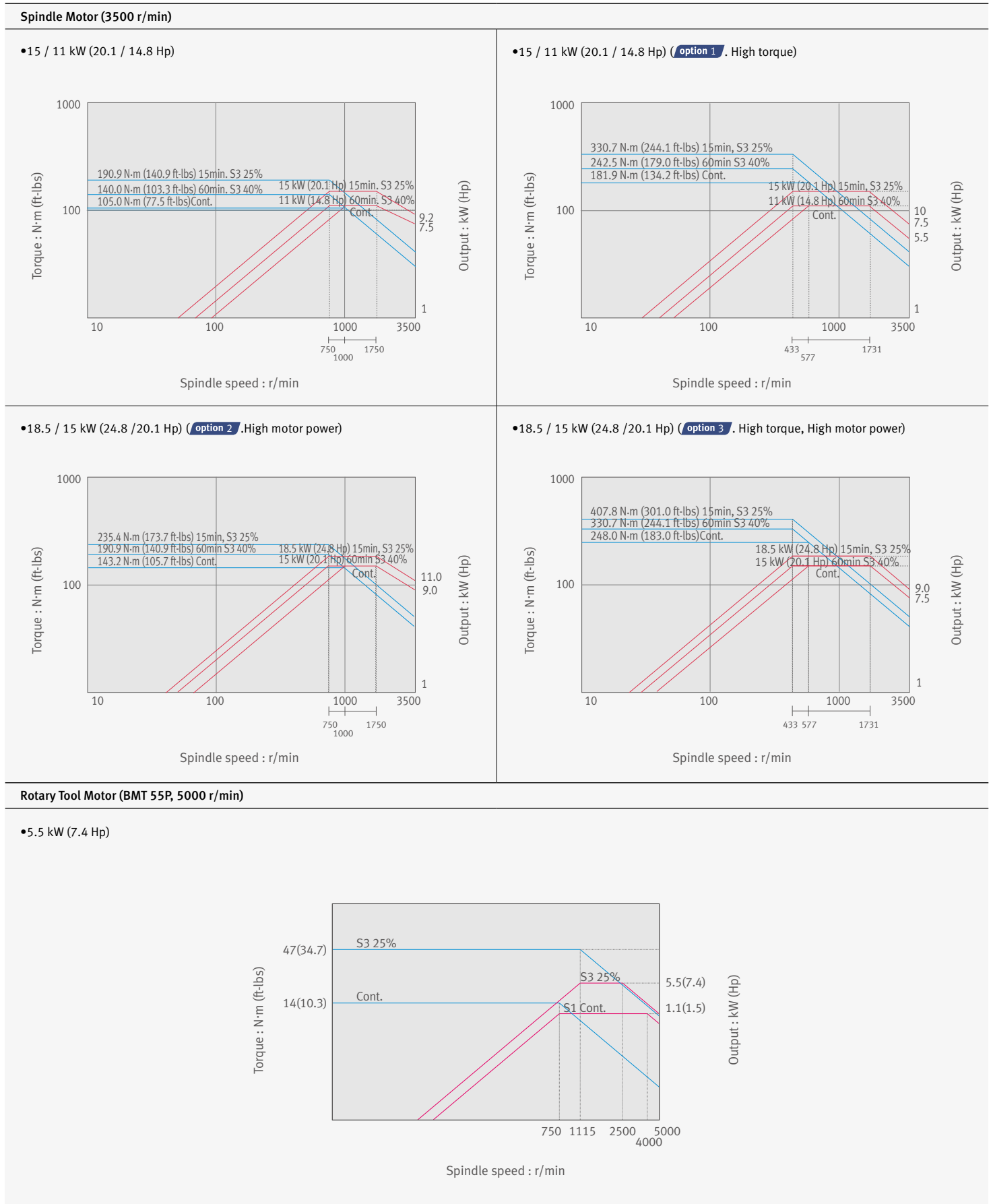
#### Tailstock thrust force setting option



Thrust of the tailstock is easily set in an interactive menu screen.



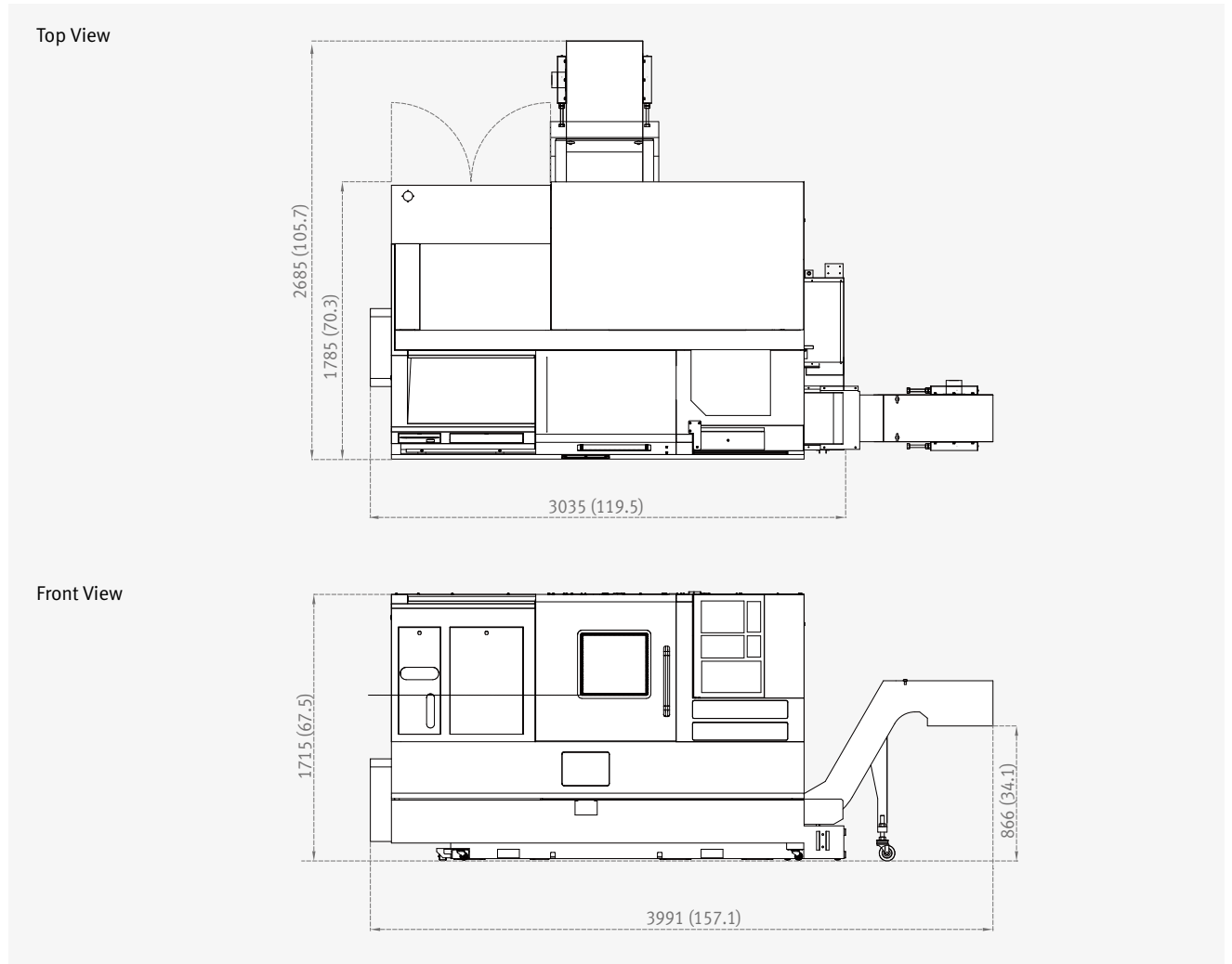
## Spindle Power – Torque Diagram



## External Dimensions

### Lynx 300 series

Unit: mm (inch)



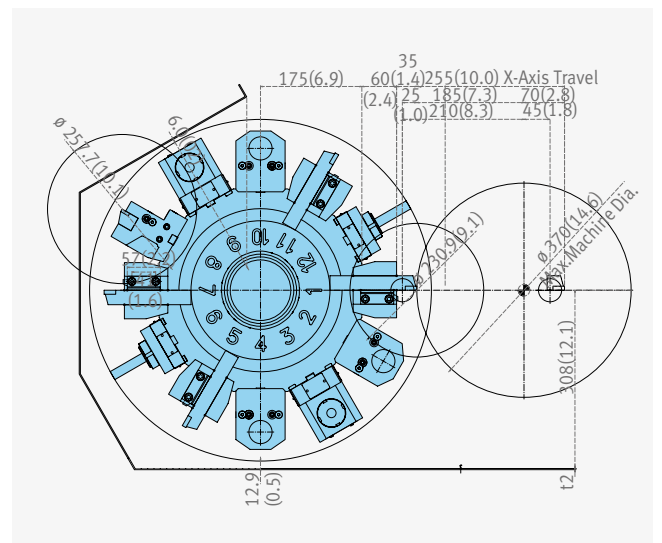
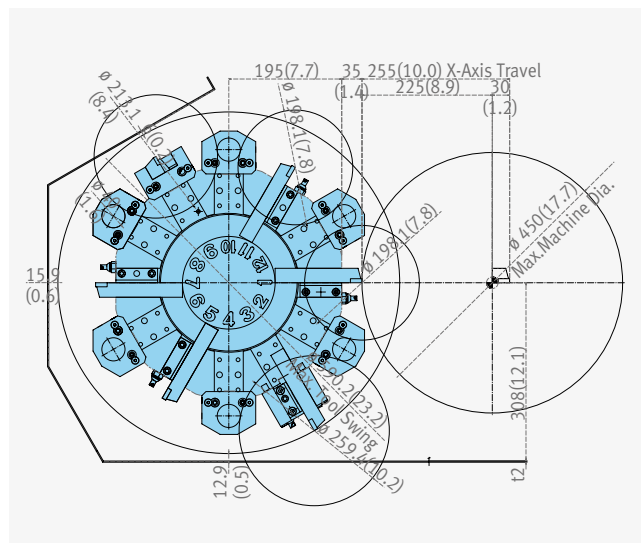
## Tool Interference Diagram

### Lynx 300

Unit: mm (inch)

### Lynx 300M

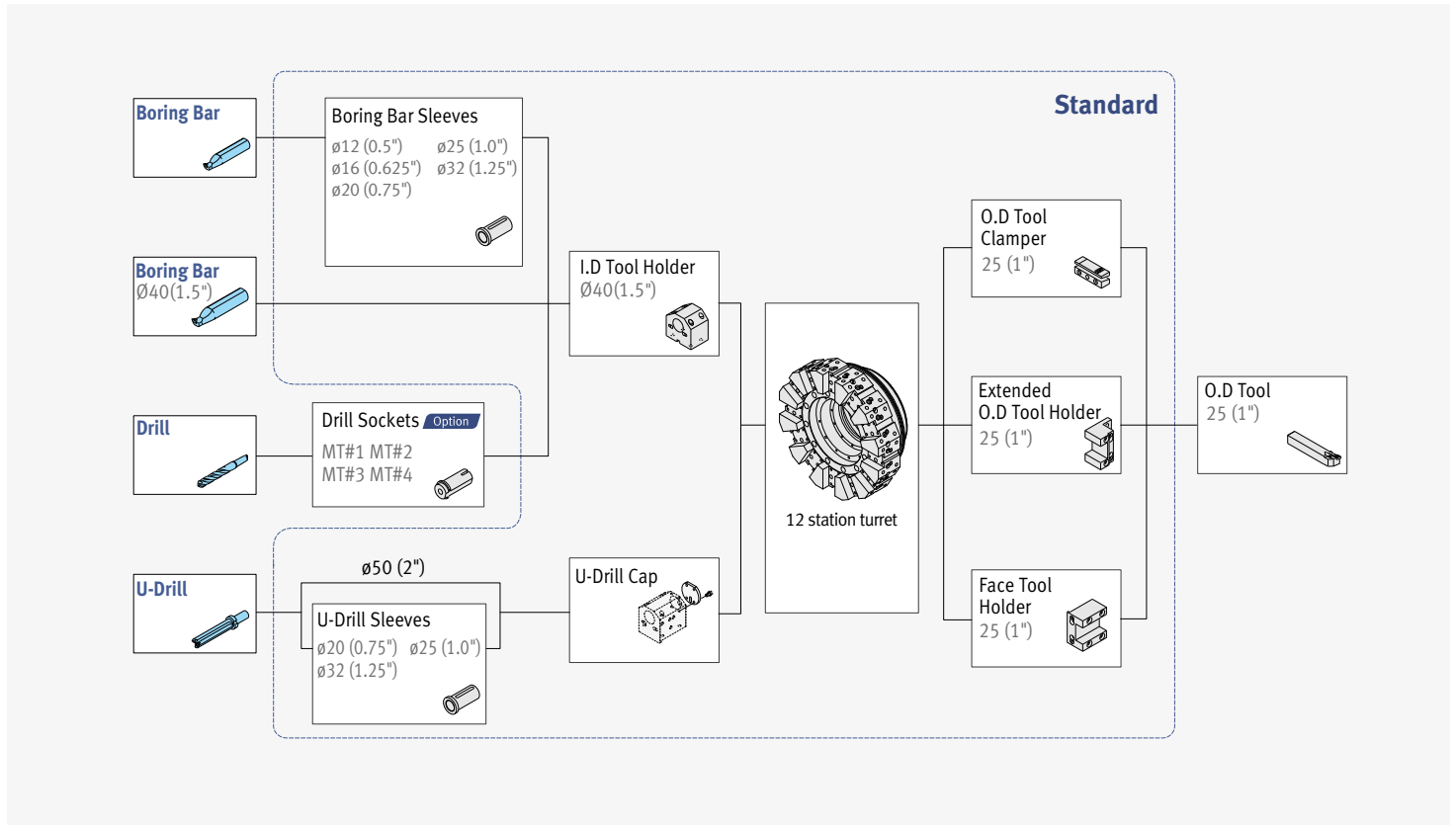
Unit: mm (inch)



# Tooling System

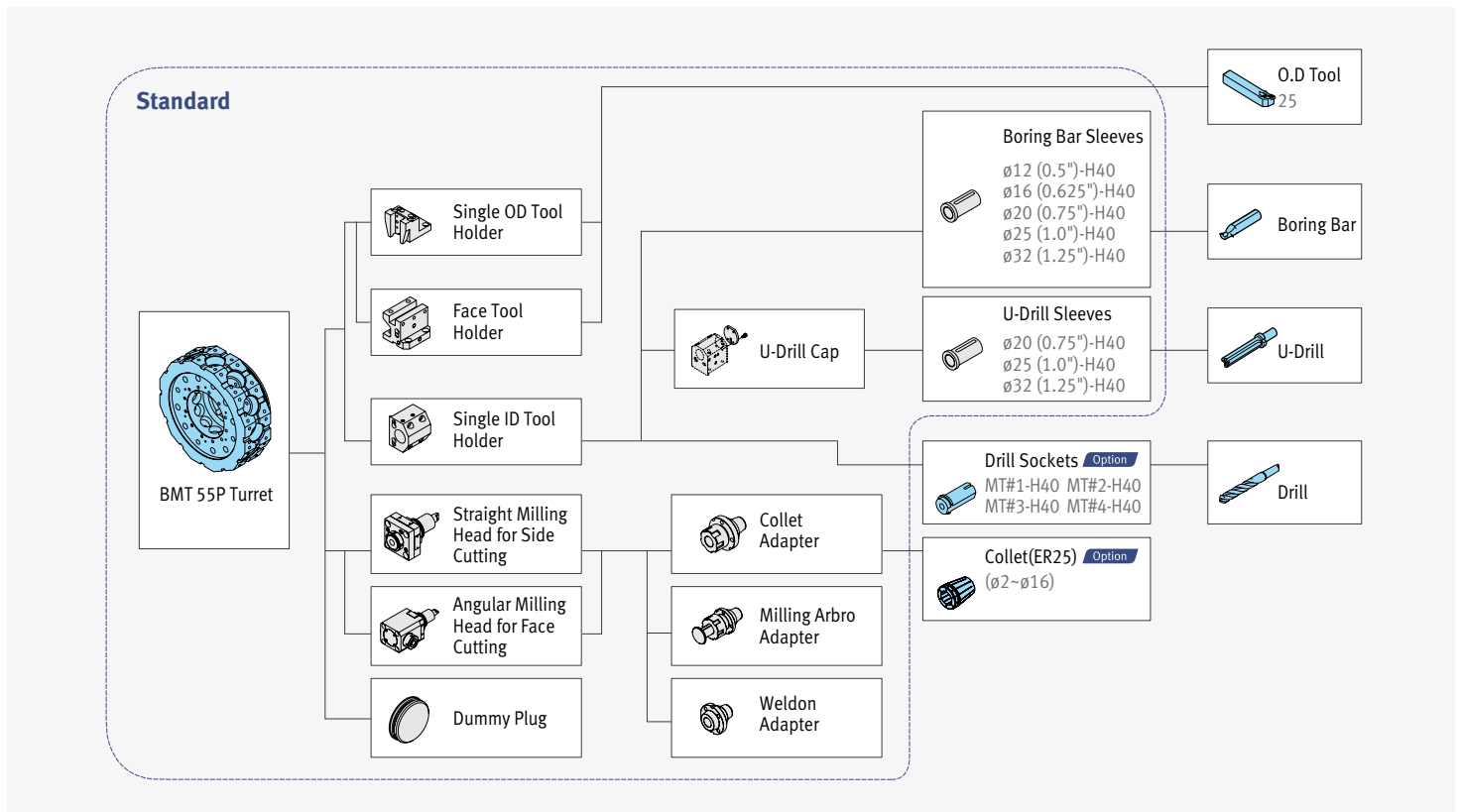
## Lynx 300

Unit: mm (inch)



## Lynx 300M

Unit: mm (inch)



## Working Range

### Basic information

Structure  
Main Components

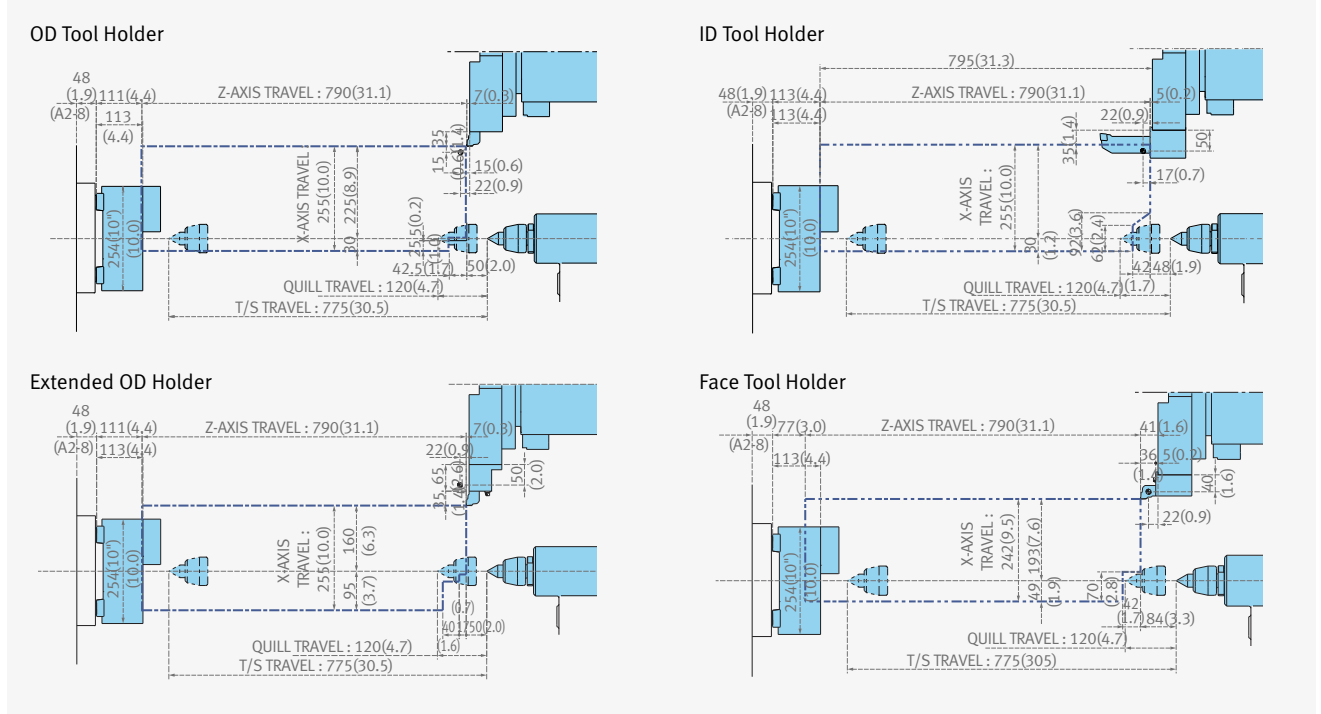
### Detailed Information

Standard/Option  
Applications  
Diagrams  
Specifications

### Customer Support

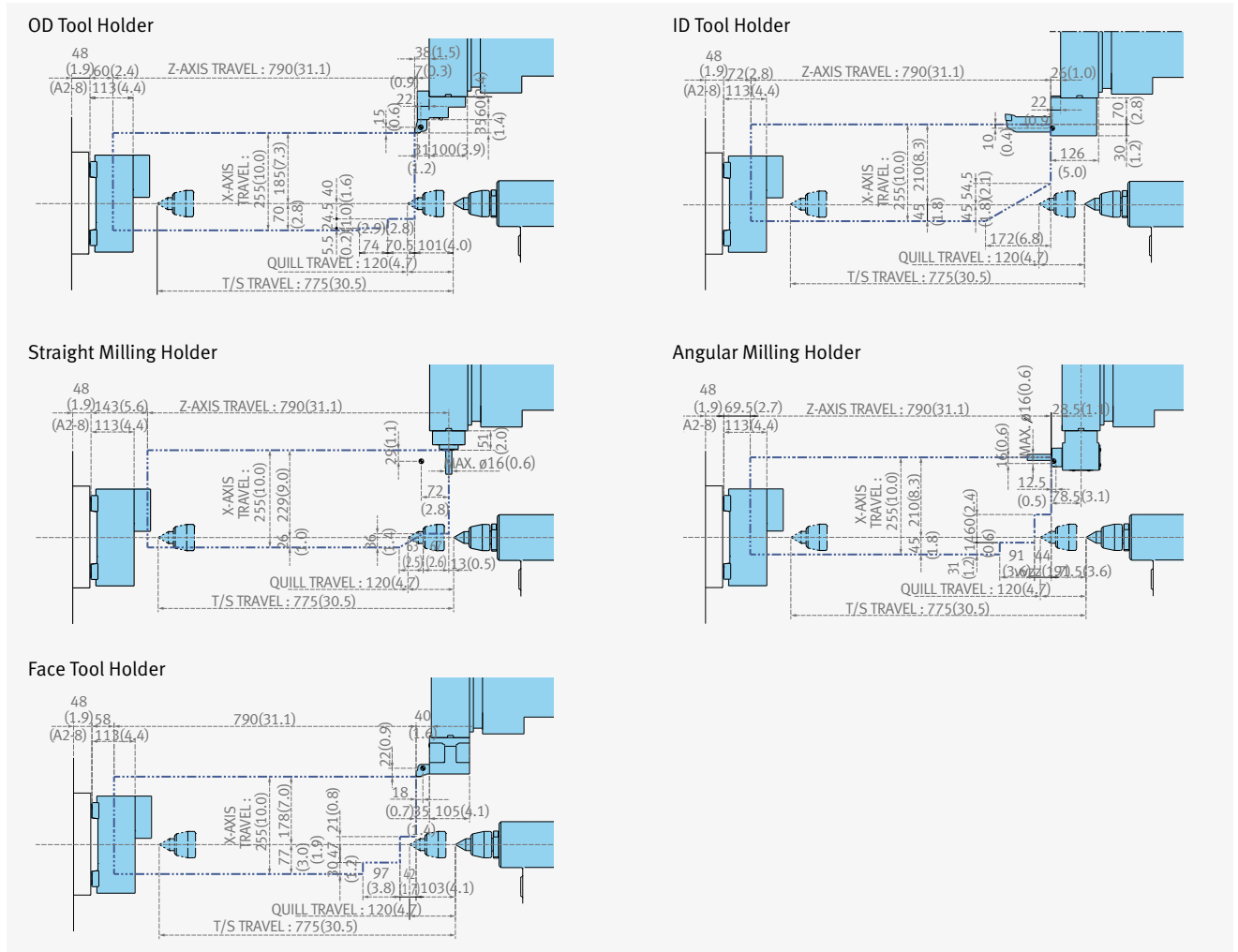
## Lynx 300

Unit: mm (inch)



## Lynx 300M

Unit: mm (inch)



## Machine Specifications



Description		Unit	Lynx 300	Lynx 300M	
Capacity	Swing over bed	mm (inch)	651 (25.6)		
	Swing over saddle	mm (inch)	461 (18.1)		
	Recom. Turning diameter	mm (inch)	254 (10.0)		
	Max. Turning diameter	mm (inch)	450 (17.7)	370 (14.6)	
	Max. Turning length	mm (inch)	765 (30.1)	712 (28.0)	
	Chuck size	inch	10		
	Bar working diameter	mm (inch)	76 (3.0)		
Travels	Travel distance	X-axis	255 (10.0)		
		Z-axis	790 (31.1)		
Feedrates	Rapid Traverse Rate	X-axis	24 (945)		
		Z-axis	30 (1181)		
Spindle	Max. Spindle speed	r/min	3500		
	Main spindle motor power	kW (Hp)	15 / 11 {18.5 / 15} <15min. / cont.> (20 / 15 {25 / 20})		
	Max. Spindle Torque for Turning	N-m (lbf ft)	191 {235.4 / 327.4 / 403.3} (141 {174 / 241 / 297})		
	Spindle nose	ASA	A2-8		
	Spindle bearing diameter (Front)	mm (inch)	120 (4.7)		
	Spindle through hole diameter	mm (inch)	86 (3.4)		
	Min. spindle Indexing angle(C-axis)	deg	-	0.001	
Turret	No. of tool stations	ea	12		
	OD tool size	mm (inch)	25 (1.0)		
	Max. boring bar size	mm (inch)	40 (1.6)		
	Turret Indexing time(1 station swivel)	s	0.15		
	Max. Rotary tool speed	r/min	-	5000	
	Rotary tool motor power	kW (Hp)	-	5.5 (7.5)	
Tailstock	Tailstock travel	mm (inch)	775 (30.5)		
	Quill diameter	mm (inch)	80 (3.1)		
	Quill travel	mm (inch)	120 (4.7)		
	Quill bore taper	MT	MT#4		
Power source	Electric power supply(rated capacity)	kVA	30.50	32.62	
Machine Dimensions	Length	mm (inch)	3035 (119.5)		
	Width	mm (inch)	1785 (70.3)		
	Height	mm (inch)	1715 (67.5)		
	Weight	kg (lb)	4000 (8800)	4050 (8910)	
CNC	NC system		DOOSAN-FANUC i		

\* {} : Option

# NC Unit Specifications

● Standard ○ Optional X N/A

Basic information

Structure  
Main Components

Detailed Information

Standard/Option  
Applications  
Diagrams  
Specifications

Customer Support

## DOOSAN-FANUC i

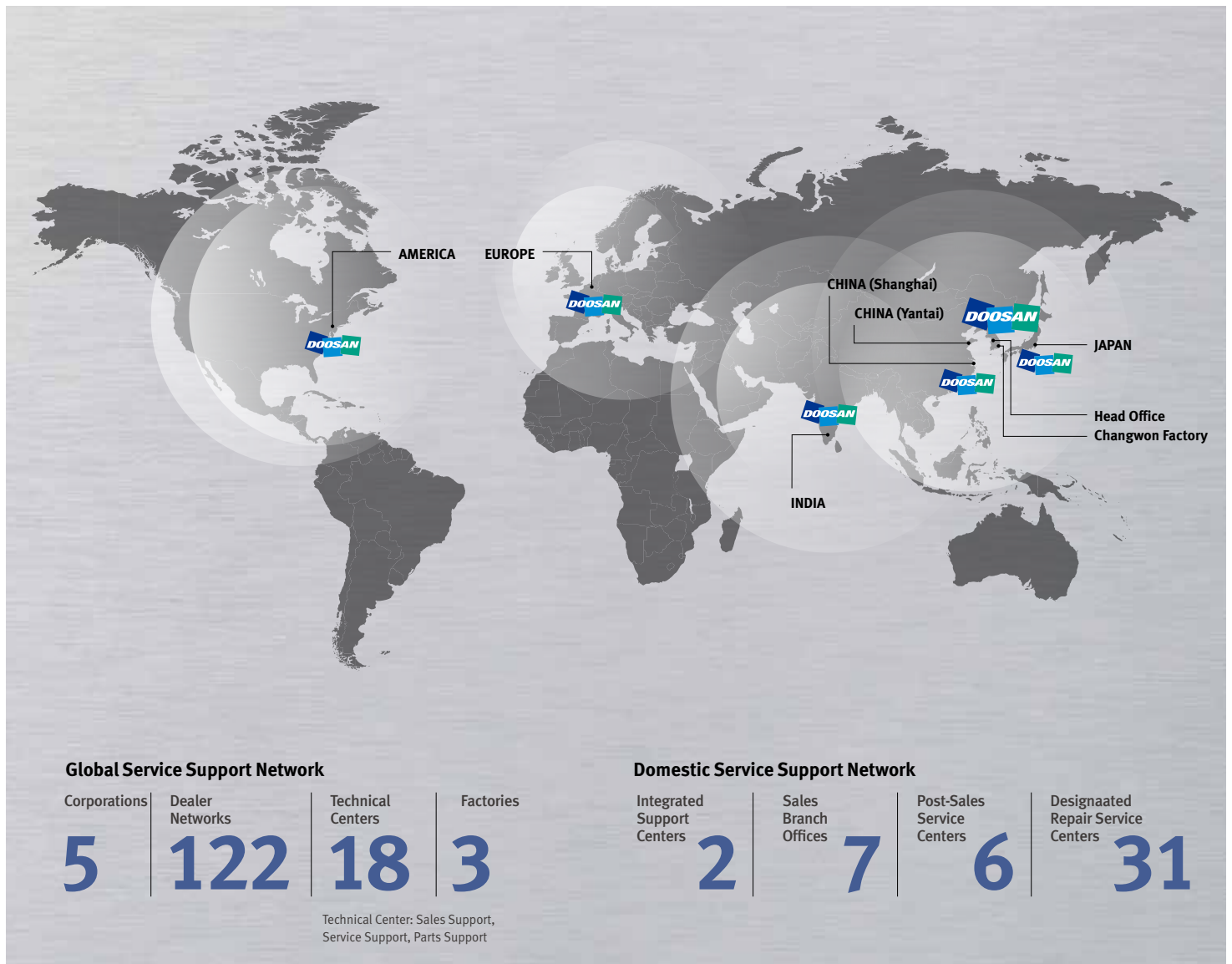
Specification			Lynx 300	Lynx 300M	
1	Controlled axis	Controlled axes	2(X,Z)	3(X,Z,C)	
2		Axis control by PMC	●	●	
3		Torque control	●	●	
4		Inch/metric conversion	●	●	
5		Stored limit check before move	●	●	
6		Unexpected disturbance torque detection function	●	●	
7		Position switch	●	●	
8	Operation	DNC operation with memory card	●	●	
9		Handle interruption	○	○	
10		Manual handle retrace	○	○	
11	Interpolation functions	Nano interpolation	●	●	
12		Linear interpolation	●	●	
13		Circular interpolation	●	●	
14		Helical interpolation	X	○	
15		Thread cutting, synchronous cutting	●	●	
16		Thread cutting retract	●	●	
17		Continuous threading	●	●	
18		High-speed skip	Input signal is 8 points.	○	○
19	Feed function	2nd reference position return	G30	●	●
20		AI contour control I		○	○
21		AI contour control II		○	○
22	Program input	Rapid traverse block overlap		●	●
23		Optional block skip	9 pieces	●	●
24		Absolute/incremental programming	Combined use in the same block	●	●
25		Diameter/Radius programming		●	●
26		Automatic coordinate system setting		●	●
27		Workpiece coordinate system	G52 - G59	●	●
28		Chamfering/Corner R		●	●
29		Custom macro		●	●
30		Addition of custom macro common variables	#100 - #199, #500 - #999	●	●
31		Interruption type custom macro		●	●
32		Canned cycle		●	●
33		Multiple repetitive cycles	G70~G76	●	●
34		Multiple repetitive cycles II	Pocket profile	●	●
35		Canned cycle for drilling		●	●
36		Coordinate system shift		●	●
37	Direct input of coordinate system shift		●	●	
38	Pattern data input		●	●	
39	Operation Guidance Function	EZ Guide i	○*1)	○*1)	
40		EZ Operation package		●	●
41	Auxiliary/ Spindle speed function	Constant surface speed control		●	●
42		Rigid tap		●	●
43		Arbitrary speed threading		○	○
44		Tool offset pairs	64-pairs	●	●
45		Tool offset pairs	99-pairs	○	○
46		Tool radius/Tool nose radius compensation		●	●
47		Tool geometry/wear compensation		●	●
48		Automatic tool offset		●	●
49		Direct input of offset value measured B		●	●
50		Tool life management		●	●
51	Accuracy compensation function	Backlash compensation for each rapid traverse and cutting feed		●	●
52		Stored pitch error compensation		○	○
53	Editing operation	Part program storage size & Number of registerable programs	1280M(512KB)_400 programs	●	●
54		Part program storage size & Number of registerable programs	5120M(2MB)_400 programs	○	○
55		Playback		●	●
56	Data input/output	Fast data server		○	○
57		External data input		●	●
58		Memory card input/output		●	●
59		USB memory input/output		●	●
60		Automatic data backup		○	○
61	Interface function	Embedded Ethernet		●	●
62		Fast Ethernet		○	○
63	Others	Display unit	8.4" color LCD	●	●
64		Display unit	10.4" color LCD	○	○
65	Robot interface	Robot interface with PMC I/O module		○	○
66		Robot interface with PROFIBUS-DP		○	○

\*1) 10.4" display : standard / 8.4" display : option

# Responding to Customers Anytime, Anywhere

## Doosan Machine Tools' Global Network, Responding to Customer's Needs nearby, Anytime, Anywhere

Doosan machine tools provides a system-based professional support service before and after the machine tool sale by responding quickly and efficiently to customers' demands. By supplying spare parts, product training, field service and technical support, we can provide top class support to our customers around the world.



## Customer Support Service

We help customers to achieve success by providing a variety of professional services from pre-sales consultancy to post-sales support.



### Supplying Parts

- Supplying a wide range of original Doosan spare parts
- Parts repair service



### Field Services

- On site service
- Machine installation and testing
- Scheduled preventive maintenance
- Machine repair



### Technical Support

- Supports machining methods and technology
- Responds to technical queries
- Provides technical consultancy



### Training

- Programming / machine setup and operation
- Electrical and mechanical maintenance
- Applications engineering

## Major Specifications

### Lynx 300 series



Description	Unit	Lynx 300	Lynx 300M
Max. turning dia.	mm (inch)	450 (17.7)	370 (14.6)
Max. turning length	mm (inch)	765 (30.1)	712 (28.0)
Standard chuck size	inch	10	
Bar working dia.	mm (inch)	76 (3.0)	
Max. spindle speed	r/min	3500	
Max spindle power	kW (hp)	15(20)	
NC system		DOOSAN-FANUC i	



## Doosan Machine Tools

<http://www.doosanmachinetools.com>

[www.facebook.com/doosanmachinetools](https://www.facebook.com/doosanmachinetools)

### Optimal Solutions for the Future

#### Head Office

Yeonkang Bldg., 6th FL., 270, Yeonji-dong,  
Jongno-gu, Seoul, Korea  
Tel +82-2-3670-5345 / 5362  
Fax +82-2-3670-5382

#### Doosan Machine Tools China

Room 101,201,301, Building 39 Xinzhuang Highway  
No.258 Songjiang District,China Shanghai(201612)  
Tel +86 21-5445-1155  
Fax +86 21-6405-1472

#### Doosan Machine Tools Japan

#2412, Mita Kokusai Bldg. 1-4-28 Mita,  
Minato-ku, Tokyo 108-0073, Japan  
Tel +81 3 5730 9013  
Fax +81 3 5730 9016

#### Doosan Machine Tools America

19A Chapin Rd., Pine Brook, NJ 07058, U.S.A.  
Tel +1-973-618-2500  
Fax +1-973-618-2501

#### Doosan Machine Tools Europe

Emdener Strasse 24, D-41540 Dormagen, Germany  
Tel +49-2133-5067-100  
Fax +49-2133-5067-001


#### Doosan Machine Tools India

106 / 10-11-12, Amruthahalli, Byatarayanapura,  
Bellary road, Bangalore-560 092, India  
Tel +91-80-4266-0122 / 121 / 100



\* For more details, please contact Doosan Machine Tools.

\* The specifications and information above-mentioned may be changed without prior notice.

\* Doosan Machine Tools Co., Ltd. is a subsidiary of MBK Partners, a Korean private equity firm. The trademark  DOOSAN is used under a licensing agreement with Doosan Corporation, the registered trademark holder.