

DOOSAN

Construction Equipment

DX60-5B

Engine Power	38.9 kW (52.1 HP) / 2,200 rpm
Operational Weight	5,700 kg
Bucket Capacity (SAE)	0.21 m ³



Further improved fuel efficiency and durability of the DX60-5B, designed targeting the superior production efficiency of the same ton weight-classes

DX60-5B

Superior excavation, drive, and towing power, as well as superior rotation speed compared to other products in the same ton weight class. Outstanding efficiency, with each part offering superior durability. Adapting to all kinds of poor work environments, the DX60-5B provides the top profit to the customer.

APPLICATION

Urban infrastructure, roads construction, agriculture, forestry, stock farming.

HIGH-EFFICIENCY HYDRAULIC SYSTEM

Minimum loss of energy through the perfect harmonization of overall hydraulic system performance and engine output rate.

DX SERIES COMFORT DRIVER'S CABIN

Comfortable, convenient driver's cabin, low-noise, clear view

HIGH FUEL-EFFICIENCY

The electric control engine offers a multitude of oil filters, guaranteeing engine durability. The hydraulic system works to maintain the minimum loss through repeated simulation verifications, and, using cutting-edge oil-saving technology, the usage of oil has drastically decreased

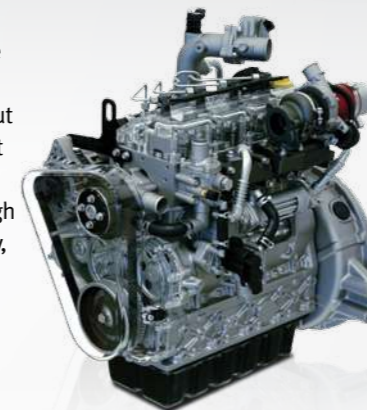
MAINTAINABILITY

The distribution of maintenance areas and design are rational. This is able to be operated simply on a surface through regular checks.



ENGINE

Yanmar 4TNV98 engine offers a gas pressure system, and the high-elevation capacity for work is over 2500m. There is no loss of output when working, thus allowing it to easily meet the challenge of your most difficult jobs. A multi stage fuel filtering system offers a high level of filtration, enhance engine's durability, and reduce quality problem caused by using poor quality of diesel. The maximum value is guaranteed for the customer.



COMPLETELY NEW OPTION METHOD OF WORK

A choice can be made out of two P/E work methods. Choices are used based on all sorts of work environments, allowing the maximization of fuel efficiency.

Fuel Saving

Improvement over preceding models

15 ↑ %

Fuel Efficiency

Improvement over preceding models

17 ↑ %

Travel Speed

Improvement over preceding models

4 ↑ %

The data presented hereinabove are measured in the test environment of the manufacturer and subject to change according to the test conditions. The applicability of the data shall be limited to reference purpose only.

Manufacturer	Yanmar
Rated Power	38.9 kW (52.1 HP) / 2,200 rpm
No. of Cylinders	4
Displacement	3,319 cc

With the design ideology “The true heart of the driver”, interior sounds and vibrations inside the driver's cabin have been reduced to the bare minimum. Full Auto climate control system satisfies the demand for four-season performance. More space, better visibility, full auto-climate control, and a comfort features ensure that operators stay productive and push performance to the limit in DX60-5B.



WIDER FIELD OF VIEW

The cabin window is enlarged to provide the operator with wider field of view for undisturbed operation.



NEW GAGE PANEL

Measuring instruments have been improved, RPM and usage time confirmation area have increased, allowing easy comprehension of the usage situation of the equipment.



WIDE OPERATING SPACE

A far wider and more comfortable environment is made available to the driver, using DX Series deluxe driver's cabins in their natural state.

ANTI-VIBRATION SUSPENSION SEAT

The height may be controlled automatically to adjust to the driver's weight. Both the front and rear can be adjusted bilaterally at the same time, reducing the fatigue of the driver and increasing task efficiency.

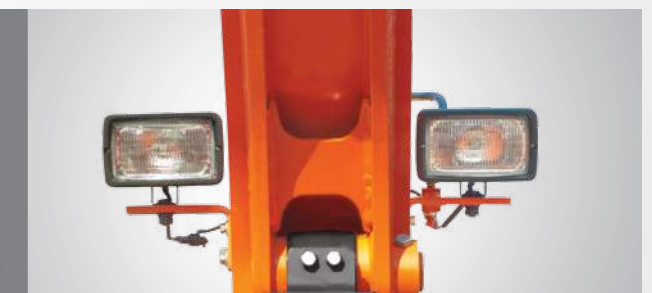


UPGRADED OPERATOR PANEL, CENTRALIZED SWITCH DESIGN

Metal-texture plates used in luxurious cars and clustered switch design maximize work convenience and efficiency.

ENGINE EMERGENCY BRAKE BUTTON

If the equipment must be urgently stopped, pressing the brake button will block the supply of the engine's combustion fuel. The consumption of fuel then decreases, assuring the safety of the worker.



NEW WORK LIGHT

Brightness has been enhanced by using completely new, high-quality work lighting, making working at night even more convenient.



RELIABILITY

Reliability has been improved through more advanced design procedures and repeating, strict simulation tests.

The expected working life of DX60-5B has been extended to the maximum through further advanced computer 3D designs and multiple-time reliability tests, creating far higher added value for the customer.

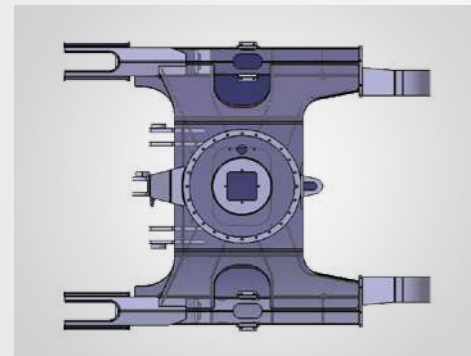
DOZER BLADE

Durability and Reliability of Dozer blade has been proven and a high-strength, reversible cutting edge provides a long working life and lower operating costs.



BUFFER RUBBER TUBE

A buffer rubber tube has been added to the main pump, reducing engine vibrations and extending the usage window of the engine.



OPTIMIZED CHASSIS STRUCTURE

The chassis is applied with a new design structure to remove stress concentration and improve machine durability and work stability.



NEWLY DESIGNED BOOM AND ARM

The welding of the boom and arm have been reduced through a boom lower-board unification design. Furthermore, through structural developments, stress concentration is prevented, thus increasing both durability and the structural stability of the boom and arm.



The track roller attachment point was shifted from lower to middle portion to improve undercarriage stability and structural rigidity of the chassis.

The new type idler wheel, which is optimized for structural design, adopts one-casting technology, simplifies the assembly process, and enhances connection strength.



MAINTENANCE

DX60-5B

Convenient, Fast, and Economic Maintenance

More convenient service conditions for the customer, through totally new and convenient maintainability installations.



DIESEL COOLER AND WATER TANK

A diesel cooler and water tank have been laid out appositionally, making disassembly and replacement tasks easier and sharply reducing maintenance time.



GREASE BOX SUPPORT FIXTURE

A grease box support fixture has been added, increasing the speed and comfort of equipment maintenance.



FRESH BATTERY BOX PROTECTIVE COVER DESIGN

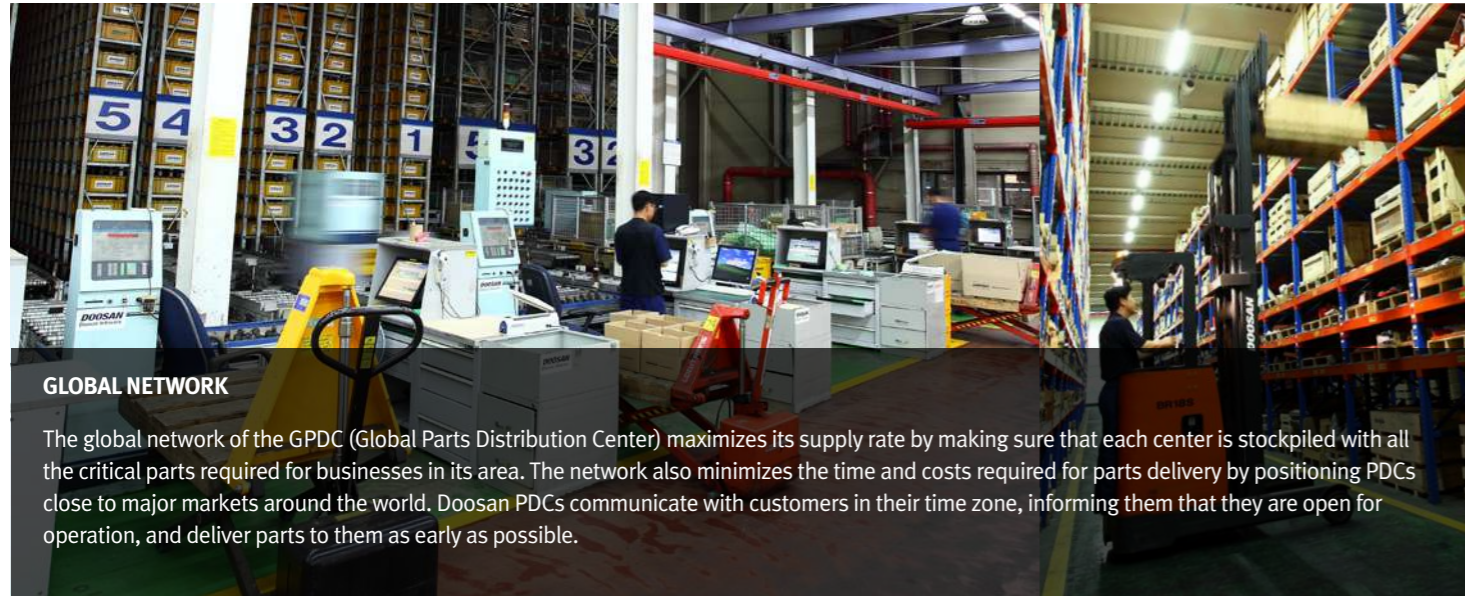
The battery box quality has been reinforced and the surface area expanded, making atmospheric filter chip maintenance easier.



GLOBAL PARTS NETWORK

GLOBAL PDC (PARTS DISTRIBUTION CENTER) NETWORK

Doosan provides fast and precise worldwide delivery of genuine Doosan parts through its global PDC (parts distribution center) network.



GLOBAL NETWORK

The global network of the GPDC (Global Parts Distribution Center) maximizes its supply rate by making sure that each center is stockpiled with all the critical parts required for businesses in its area. The network also minimizes the time and costs required for parts delivery by positioning PDCs close to major markets around the world. Doosan PDCs communicate with customers in their time zone, informing them that they are open for operation, and deliver parts to them as early as possible.

The Global Parts Distribution Center Network

PDCs had been set up as shown below, including Mother PDC in Ansan, Korea. The seven other PDCs include one in China (Yantai), one in the USA (Chicago), one in Brazil (Campinas), two in Europe (Germany and the UK), one in the Middle East (Dubai), and one in Asia (Singapore).



PDC BENEFIT



Distribution Cost Reduction



Maximum Parts supply rate



Shortest distance/time parts delivery



Real-time service support



Minimum downtime

TECHNICAL SPECIFICATIONS

Main Specification

Engine	
Model	Yanmar 4TNV98
Type	Serial
No. of Cylinders	4
Cylinder Dia.	90 φ
Piston Stroke	110 mm
Rated Power	38.9 kW (52.1 HP) / 2,200 rpm

Swing System

Drive Type	Hydraulic drive
Reducer	Planetary gear reducer
Swing Brake	Wet, multi-disc brake
Swing Speed	9 rpm

Drive and Brake

Feed-forward Control	Pedal & joystick integral
Drive Type	Hydraulic drive
Travel Motor	Axial piston hydraulic motor
Travel Speed (High/Low)	4.16/2.3 km/hr
Brake Operation	Hydraulic Brake
Parking Brake	Wet, multi-disc brake

Travel Mechanism

Center Frame	X-shaped
Track Frame	Box-type section
Sealed Track	Auto-greased track
Track Adjustment (Height)	Grease adjustment
No. of Track Shoes	40 each side
Carrier Roller	1 each side
Track Roller	5 each side

Operational Weight

(With operator, lubricant, coolant, full tanks, and standard specification)

Boom	3,000 mm
Dipper Stick	1,600 mm
Bucket	0.21 m ³
Track Link	400 mm
Operational Weight	5.7 ton
Ground Contact Pressure	0.3 kg/cm ²

Hydraulic Cylinders (Bore x Stroke x Rod)

Boom	110 mm X 60 mm X 719 mm
Dipper Stick	85 mm X 55 mm X 883 mm
Bucket	80 mm X 50 mm X 600 mm
Blade	110 mm X 60 mm X 197 mm

Hydraulic System

Hydraulic Motor	
Travel Motor	Axial Piston Type
Swing Brake	Wet, multi-disc brakeIntake

Main Pump

Type	Variable piston pump
Max. flowrate	2 X 57.8 l /min

Safety Valve Setting

Hydraulic Circuit for Attachment	240 kgf/cm ²
Hydraulic Circuit for Travel	240 kgf/cm ²
Hydraulic Circuit for Swing	220 kgf/cm ²

Tank Capacity

Oil tank	115 l
Hydraulic oil tank (full)	62 l

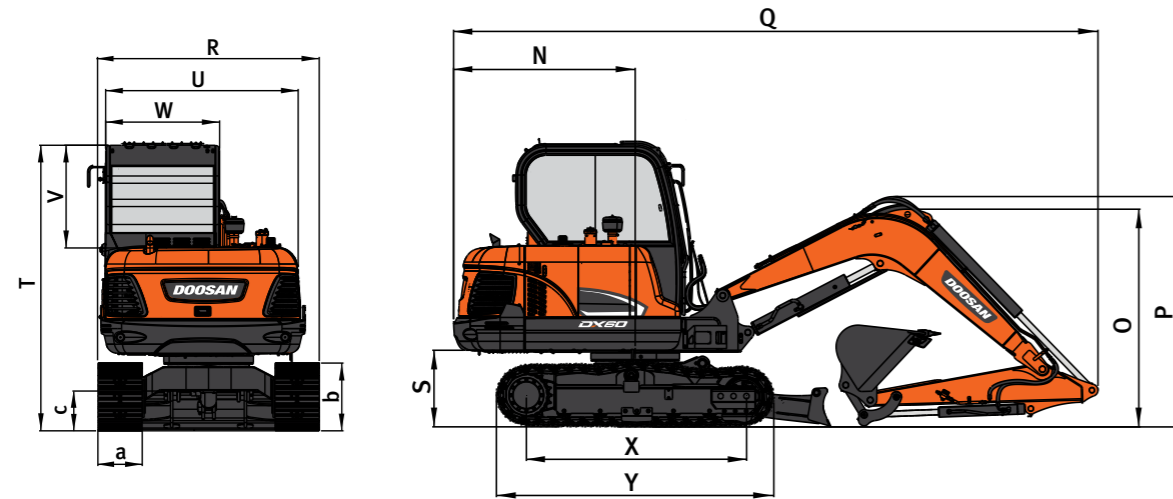
Cooling Water/Lubricant Refill Capacity

Radiator	Engine	Travel Reduce Gear Oil	Swing Reducer
10 l	8.6 l	2 X 1.4 l	1 l

Max. Digging Force (ISO)

Bucket	4.2 ton
Dipper Stick	2.8 ton

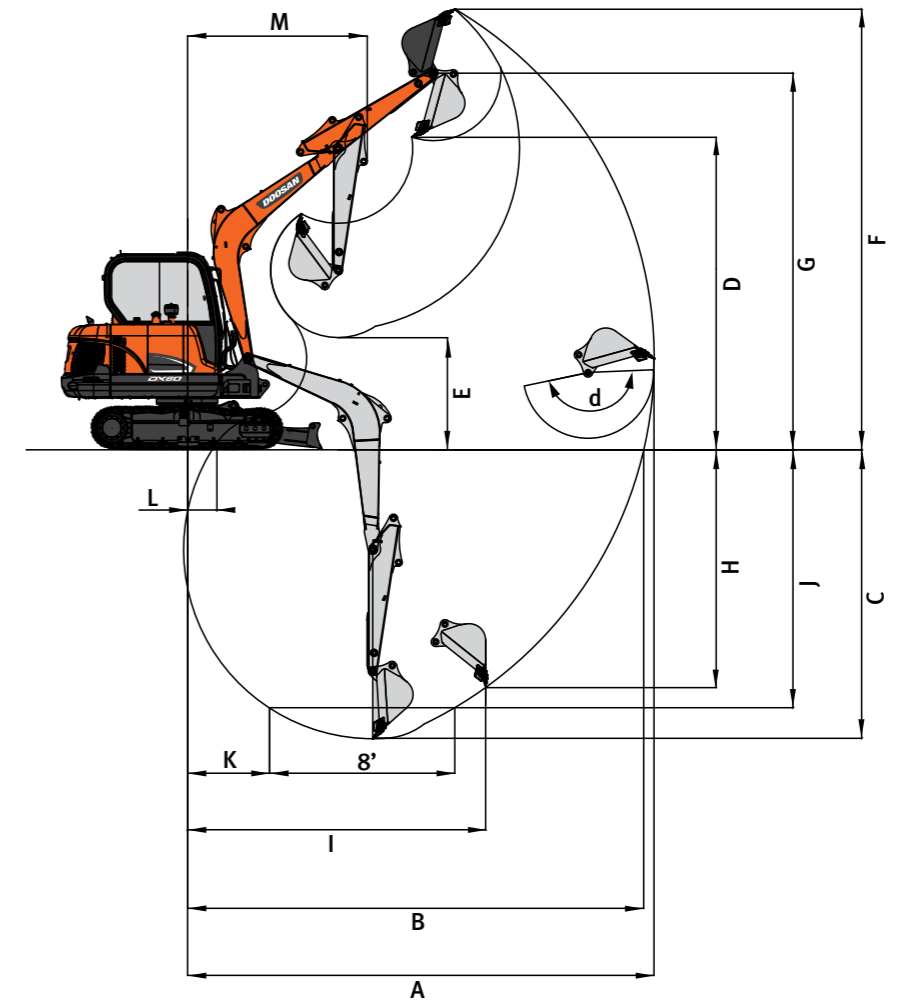
DIMENSIONS



DIMENSIONS

N	Tail swing radius	(mm)	1,660
O	Shipping height (to top of swing arm)	(mm)	1,983
P	Shipping height (to top of rubber tube)	(mm)	2,153
Q	Shipping length	(mm)	5,870
R	Shipping width	(mm)	2,000
S	C/weight clearance	(mm)	700
T	Height over cabin	(mm)	2,565
U	House width	(mm)	1,850
W	Cabin width	(mm)	1,035
X	Tumbler distance	(mm)	1,990
Y	Track length	(mm)	2,540
a	Track width	(mm)	400
b	Track height	(mm)	565
c	Car body clearance	(mm)	350
	Dozer blade width	(mm)	2,000
	Dozer blade height	(mm)	350

WORKING RANGES



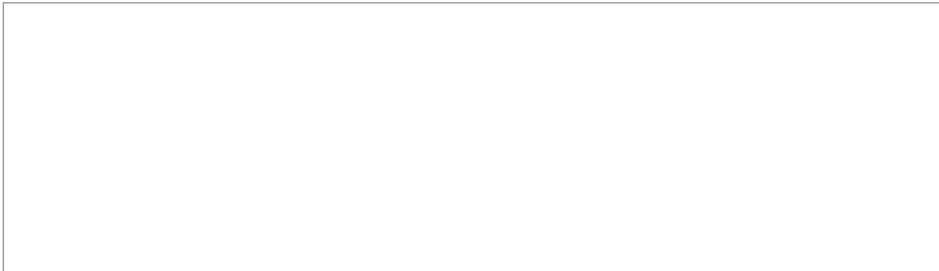
WORKING RANGE

A	Max. digging reach	(mm)	6,136
B	Max. digging reach (ground)	(mm)	6,000
C	Max. digging depth	(mm)	3,807
D	Max. loading height	(mm)	4,064
E	Max. loading height	(mm)	1,473
F	Max. digging height	(mm)	5,788
G	Max. height of bucket pin shaft	(mm)	5,093
H	Max. vertical wall depth	(mm)	3,037
I	Max. radius vertical	(mm)	4,046
J	Max. depth to 8' line	(mm)	3,388
K	Max. radius 8' line	(mm)	1,078
L	Min. digging reach	(mm)	325
M	Min. swing radius	(mm)	2,365
d	Bucket angle	(°)	180

Doosan is

Since 1896, Doosan, the oldest company in Korea, has evolved with its people. The company grew up rapidly for last 10 years with reputation. For human-oriented vision, Doosan has been building constructions, energy, machines, infra structures globally. As a global leader of infra structure, Doosan continues its vision to make human-oriented future.

First in Korea, Doosan self-developed excavators in 1985 and continued building versatile construction machines including excavators, wheel loaders, articulated dump trucks to execute its human-oriented philosophy. Doosan became a global leader of heavy construction machine industry by achieving global sales line, producing line, and distribution line. Along with large production bases in Korea, China, USA, Belgium, Czech, Brazil, Doosan has 1400 dealer networks and Doosan is providing reliable products and trusted solutions for your stable business at no risk.



Doosan Infracore Korea Office (HQ)
27F, Doosan Tower, 275, Jangchungdan-ro,
Jung-gu, Seoul, Korea(04563)
Tel : 82 2 3398 8114

www.doosaninfracore.com/ce/