



# DNM 750 II series

High Productivity Vertical Machining Center



# High Productivity Vertical Machining Center

The DNM 750 includes a spindle head cooling system which minimises thermal effects on the spindle. This enables a variety of medium to large parts to be machined to a high level of accuracy even at high speed.

In addition, the roller guideways and high strength arch structure of the column provide a highly rigid frame for stable machining conditions.



## DNM 750 II series

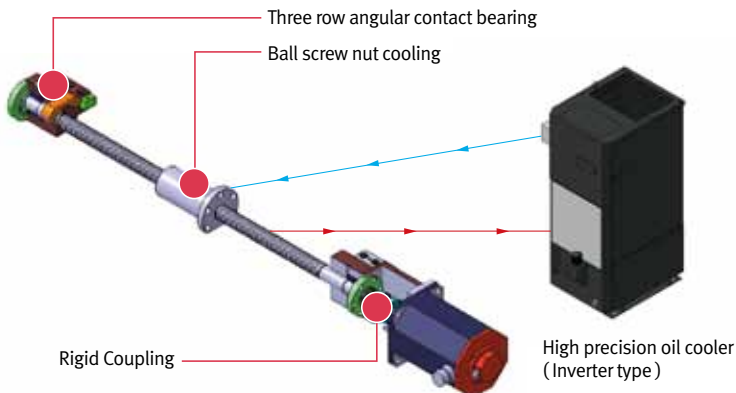


# Features

## 1 X-axis travel and spindle torque available for various applications

DNM 750 [L] II & DNM 750 [L] / 50 II

	ISO #40	ISO #50
X-axis travel	1630 [2160] mm (64.2 [85] inch)	
Spindle speed	8000 r/min (belt)	
	std.	opt.
	12000 r/min (direct)	10000 r/min (belt)
Spindle torque	117.1 N·m (86.4 ft·lb)	286.4 N·m (141.1 ft·lb)
Max. tool weight	1500 [1800] kg (3306.9 [3968.3] lb)	



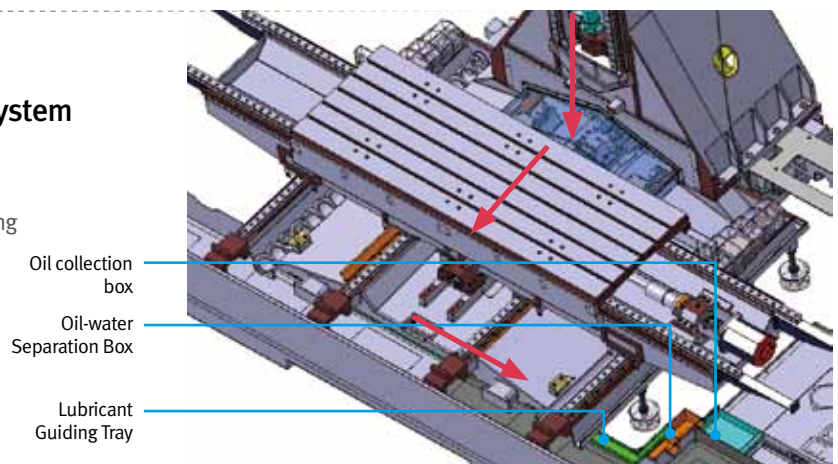
## 2 Cooling system to minimize thermal displacement

Thermal displacement of the spindle and axes is achieved by circulating cooling oil via an oil cooler to the spindle head and ball screw nuts.

- Spindle head cooling system **std.**
- Ball screw nut cooling system **std.**

## 3 Eco-friendly waste oil separation system

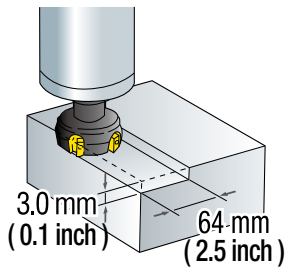
- Improved customer environment by separating waste lubricant and coolant.
- Reduced maintenance cost by extending the life of coolant by 80%



# High Productivity

## Machining capacity (ISO #40)

Face mill\_Carbon steel (SM45C) ø80mm Face mill ( 6Z)

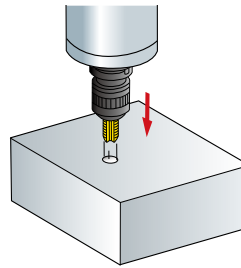


Machining rate  
**570 cm<sup>3</sup>/min**

Spindle speed  
1500 r/min

Feedrate  
2970 mm/min ( 116.9 ipm)

Tap\_Carbon steel (SM45C)



Machining rate  
**M30 x P3.5**

Spindle speed  
200 r/min

Feedrate  
700 mm/min ( 27.6 ipm)

※ The results, indicated in this catalogue are provides as example. They may not be obtained due to differences in cutting conditions and environmental conditions during measurement.

## Rapid traverse

The linear motion guide ways and the high-speed servo motors enable fast axis movements, which reduce machining time and non-cutting time, resulting in enhanced productivity.



	DNM 750 II [DNM 750 / 50 II]	DNM 750L II [DNM 750L / 50 II]
X-axis	30 m/min	24 m/min
Y-axis	30 m/min	24 m/min
Z-axis	24 m/min	24 m/min

## Auto tool change

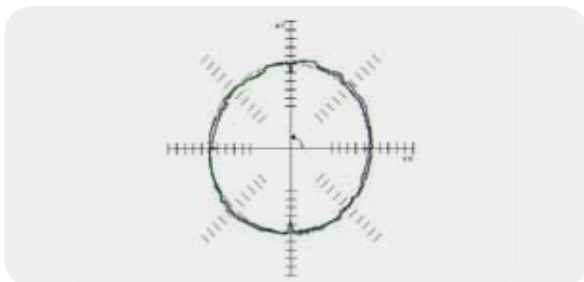
Fast tool change time using a cam-type tool changer helps improve productivity.



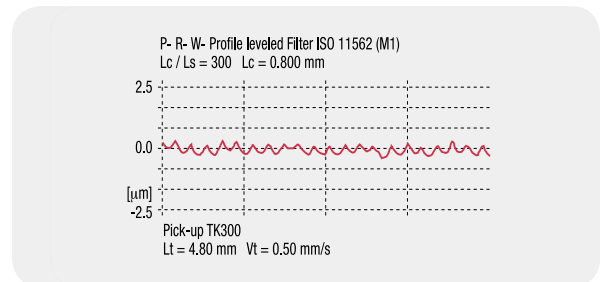
	DNM 750 [L] II	DNM 750 [L] / 50 II
Tool change time (T-T)	1.3	2.5
Tool change time (C-T-C)	3.7	5.5
Tool storage capacity	30 { 40 / 60 <b>opt.</b> }	24 { 30 <b>opt.</b> }

## Machining Accuracy

Ball bar test **4.7 μm**



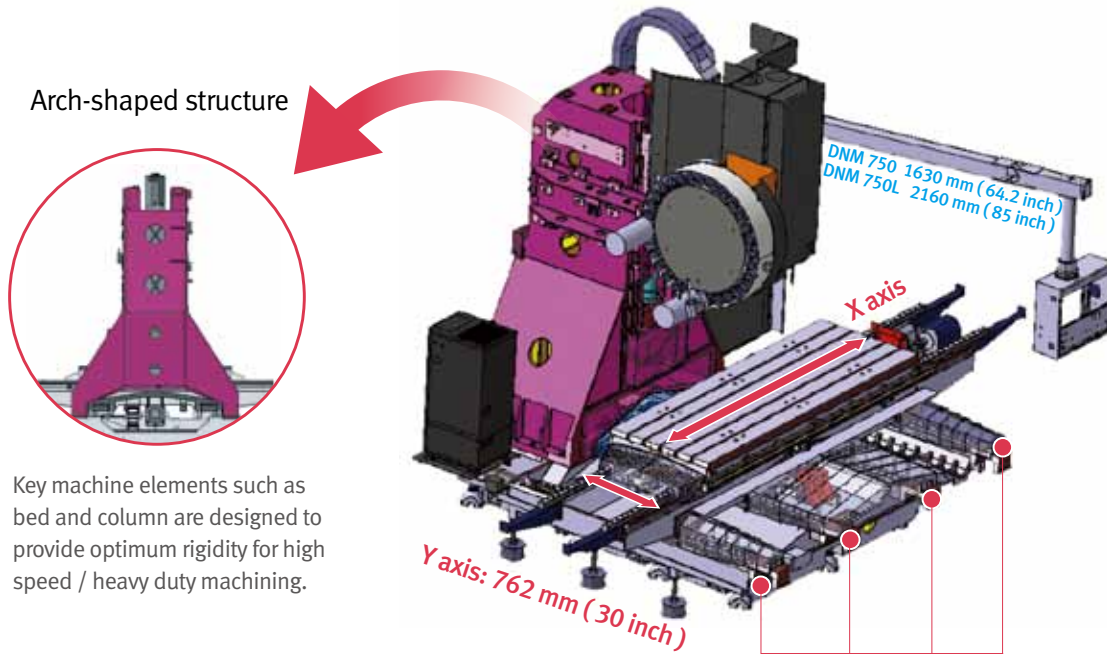
Roughness **Ra 0.18 μm** • Spindle speed : 8000 r/min  
• Feedrate : 1200 mm/min ( 47.2 ipm)





# High Rigidity Body

Key machine elements such as bed and column are made of Meehanite castings which have excellent vibration absorption characteristics and are designed to minimise deformation caused by heavy duty cutting. Roller type linear guideways are used to provide a combination of rigidity for heavy duty cutting and also high speed / high precision movement of each axis for high speed machining.

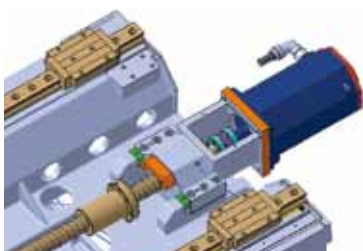


Arch-shaped structure

Key machine elements such as bed and column are designed to provide optimum rigidity for high speed / heavy duty machining.

- The DNM 750L uses four roller guideways in the Y axis to eliminate overhang and provide optimum stability ( DNM 750 has two roller guideways ).

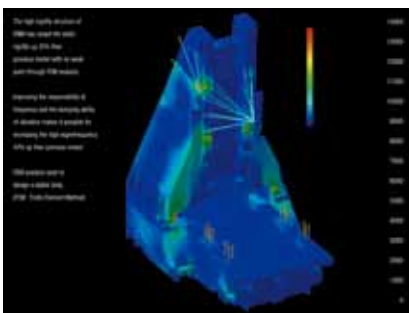
## High-strength roller type linear motion guide way



- High-stiffness Ball Screw & Coupling



- Strong 45 size roller type linear guide way



### Static rigidity

The high-rigid structure of DNM 750 series had raised the static rigidity up more than previous models through FEM analysis.

- FEM analysis used to design a stable body. ( FEM : Finite Element Method )

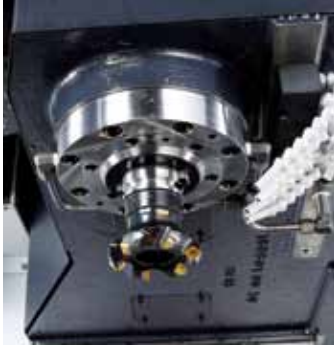
### Dynamic stiffness

Dynamic analysis was used in simulations of actual cutting to improve dynamic stiffness and dampen vibration during design stage.

# High Speed Spindle

## Spindle

### ISO #40



### ISO #50

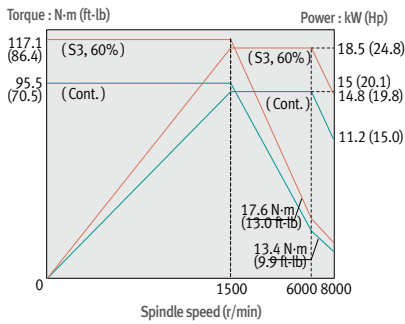


		ISO #40	ISO #50
<b>std.</b>	Spindle speed	8000 r/min (belt)	8000 r/min (belt)
	Spindle torque	117.1 N·m (86.4 ft·lb)	286.4 N·m (211.4 ft·lb)
	Spindle motor power (30min / Cont.)	18.5 / 15 kW (24.8 / 20.1 Hp)	15 / 11 kW (20.1 / 14.8 Hp)
<b>opt.</b>	Spindle speed	12000 r/min (direct)	10000 r/min (belt)
	Spindle torque	95.5 N·m (70.5 ft·lb)	165.7 N·m (122.3 ft·lb)
	Spindle motor power (30min / Cont.)	15 / 11 (15.6 / 15.6) kW (20.1 / 14.8 (20.9 / 20.9) Hp)	26 / 22 kW (34.9 / 29.5 Hp)

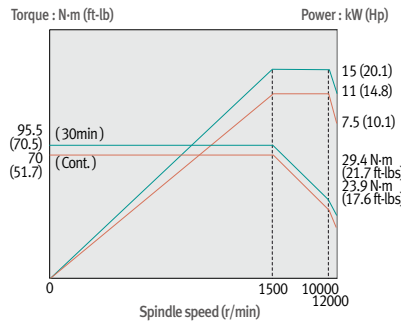
## Spindle power-torque diagram

### ISO #40

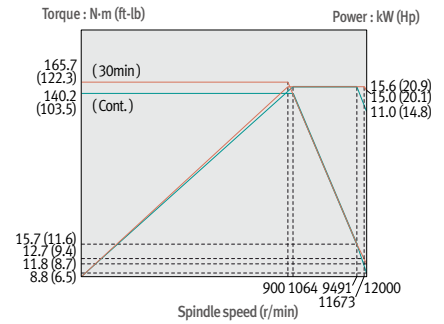
- Max. spindle speed : 8000 r/min
- Spindle motor power : 18.5 / 15 kW (24.8 / 20.1 Hp)



- Max. spindle speed : 12000 r/min
- Spindle motor power : 15 / 11 kW (20.1 / 14.8 Hp)

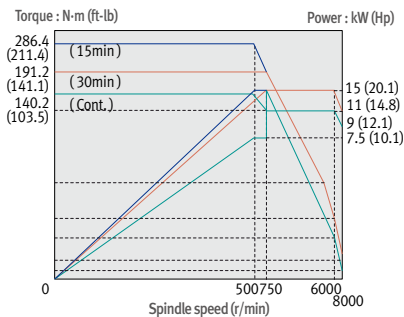


- Max. spindle speed : 12000 r/min
- Spindle motor power : 15.6 / 15.6 kW (20.9 / 20.9 Hp)

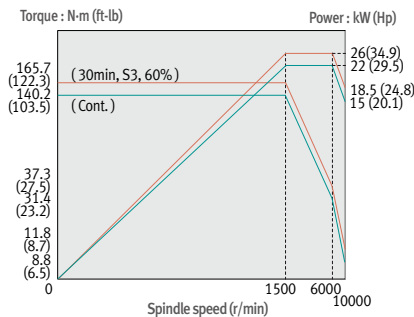


### ISO #50

- Max. spindle speed : 8000 r/min
- Spindle motor power : 15 / 11 kW (20.1 / 14.8 Hp)



- Max. spindle speed : 10000 r/min
- Spindle motor power : 26 / 22 kW (34.9 / 29.5 Hp)



# Operators Panel



## User-friendly control panel

The control panel has been consolidated into an operator-friendly and convenient layout

## PCMCIA card

The PCMCIA card is used for downloading programmes and uses a convenient slot in the CNC control panel.



## Portable MPG

Application suitable for CNC machines by providing home mode, stop adjustment and Interruption signal.



## USB port

A usb memory stick can be used for backup and restoring of CNC data. usb stick does not support DNC machine running.



# Easy Operation Package

The Doosan easy operation package has been specially customized to provide user-friendly functions and control the magazine for tools and pallets.



Tool table



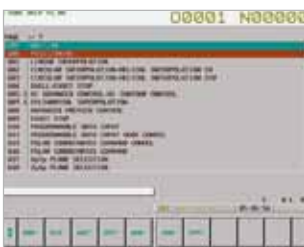
Work-piece set up table moving



ATC recovery help



Easy parameter



G-code help



M-code help



Sensor status monitor



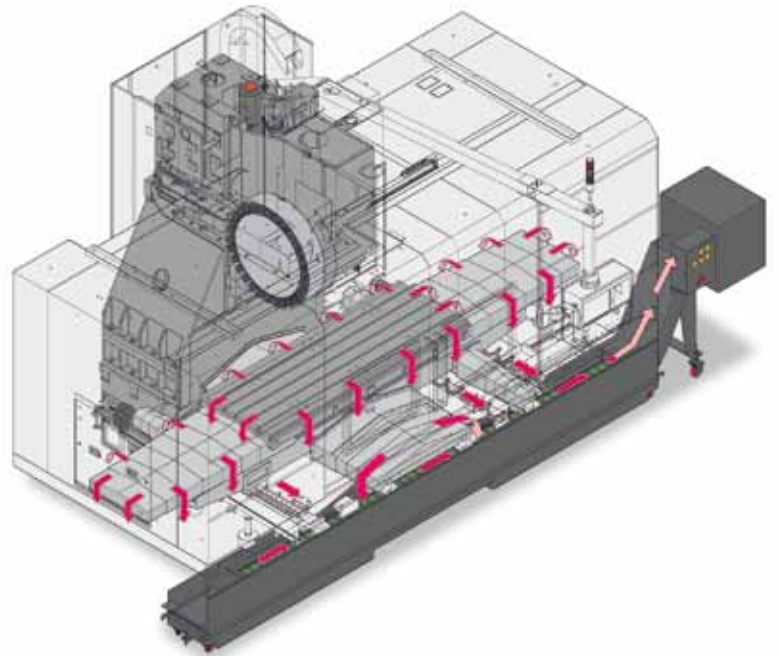
Tool load monitor **opt.**



# Chip Disposal

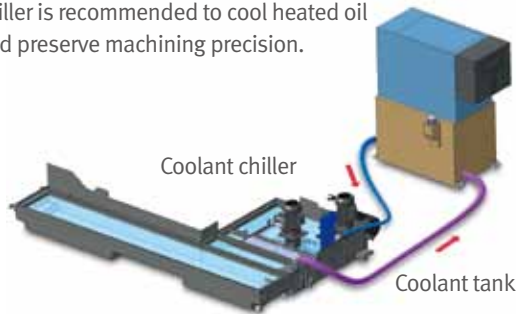
## Easy chip-removal structure

Separate chip conveyor and coolant tank provide for easy cleaning and maintenance. The completely enclosed DNM 750 series guarantees to keep the chips and coolant inside of the machining area. This provides a cleaner working area for the operator.

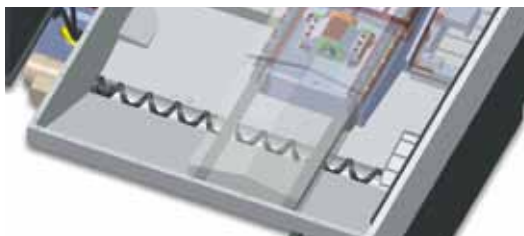


## Coolant chiller opt.

The coolant chiller lowers coolant temperature, helping to cool both the workpiece and tool during the machining operation. When using insoluble coolant, a coolant chiller is recommended to cool heated oil and preserve machining precision.



## Internal screw conveyor



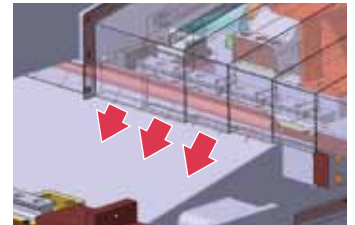
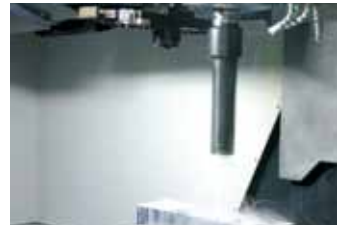
## Large capacity coolant tank with chip pan and box filter



Easy to discard chips piled up

Coolant tank capacity  
 DNM 750 : 480L ( 126.8 gallon )  
 DNM 750L : 525L ( 138.7 gallon )

## Through spindle coolant opt. Side flushing



Middle pressure : 2.0 MPa ( 20 bar )  
 High pressure : 7.0 MPa ( 70 bar )

DNM 750 opt.  
 DNM 750L std.

## Chip conveyor opt.



Scraper type



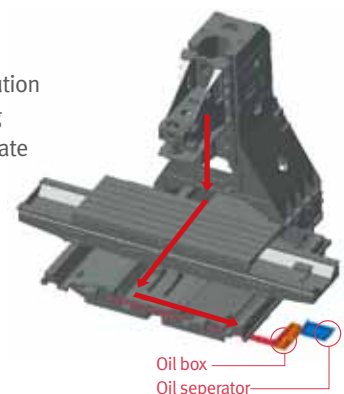
Drum filter type



Hinge type

## Used lubricating oil recovery system

Improved the coolant pollution environment by separating lubricating oil with a separate oil-water separation box mounted at the coolant tank to prevent lubricating and coolant from mixing.



Oil box  
 Oil separator

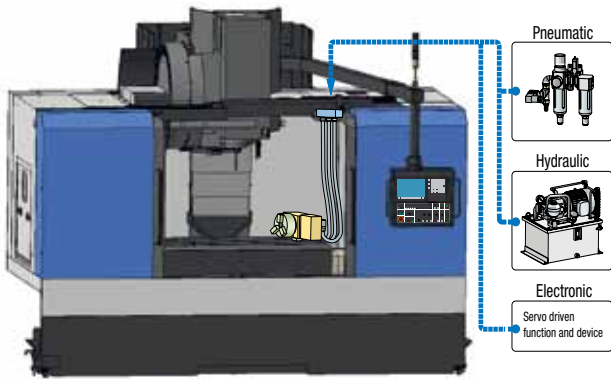


# Optional Equipment

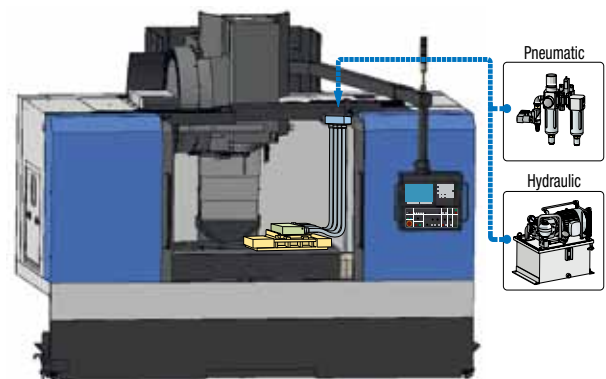
Various options available to meet customers' needs and to provide efficient work and convenience.

## Interface for additional equipment

Connection example of additional 1 axis interface



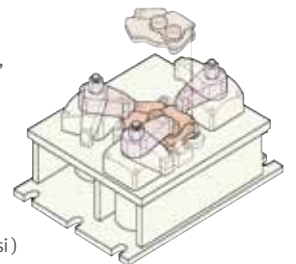
Connection example of fixture interface



- Rotary table size shown in example :  $\phi 320$  (DNM 750)
- Hydraulic power unit may be additionally necessary according to rotary table specifications.

### Fixture check list ( for hydraulic / pneumatic fixtures )

- Pressure source
  - Hydraulic  P/T  A/B
  - Pneumatic  P/T  A/B
- Number of ports
  - 1pair ( 2-PT 3/8" port )
  - 2pair ( 4-PT 3/8" port )
  - 3pair ( 6-PT 3/8" port )
- Hydraulic power unit
  - Supply scope :  User  Doosan  
( Please check the below detail specification, if you want Doosan to supply. )
  - Use Doosan standard unit  
24 L/min ( 6.3 gal/min ) / 4.9 MPa ( 711 psi )
  - Special requirement  
\_\_\_\_\_ L/min ( gal/min ) at \_\_\_\_\_ MPa ( psi )



Automatic tool length measurement



Automatic workpiece measurement



Minimum quantity lubrication

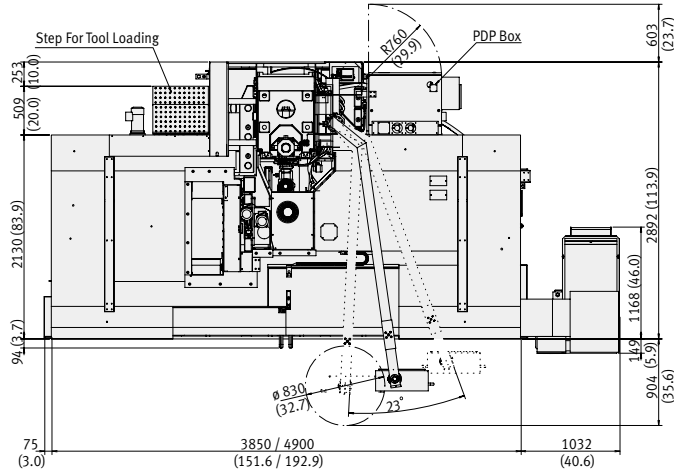


Oil skimmer

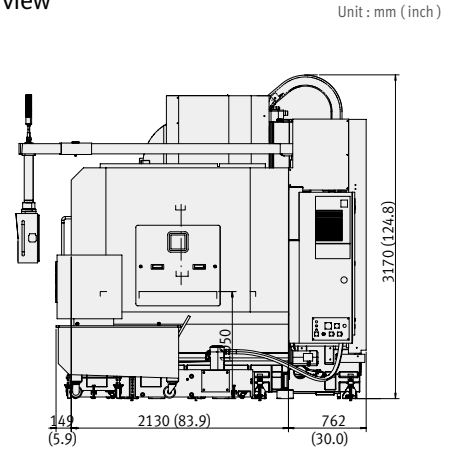


# External Dimensions

Top view

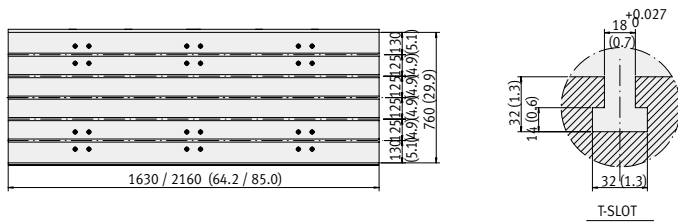


Side view



Unit : mm (inch)

## Table dimensions

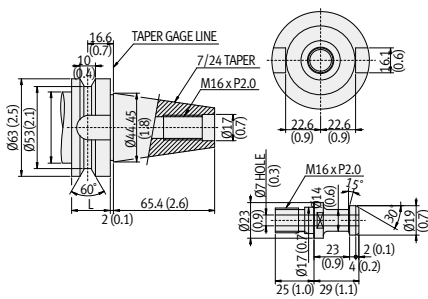


/ : DNM 750

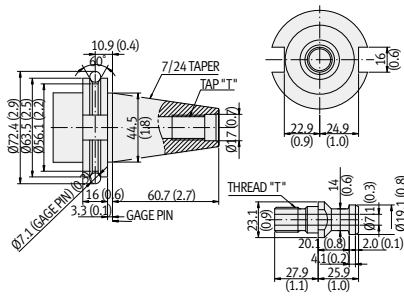
## Tool shank

Unit : mm (inch)

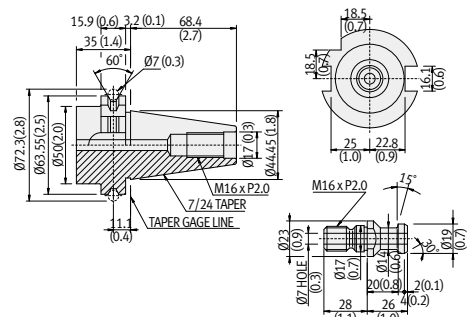
BT 40



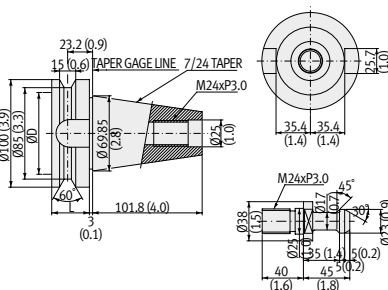
CAT 40



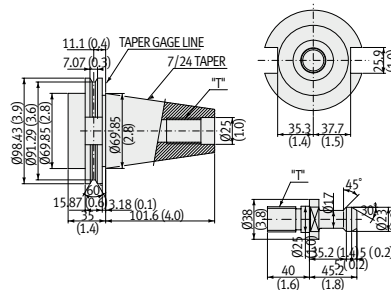
DIN 40



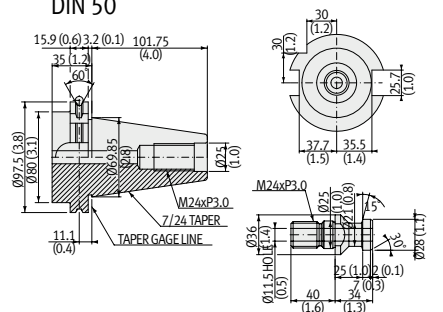
BT 50



CAT 50



DIN 50



# Machine Specifications

	Features	Unit	DNM 750 [ L ] II	DNM 750 [ L ] / 50 II
Travel	X-axis	mm (inch)	1630 [ 2160 ] ( 64.2 [ 85.0 ] )	
	Y-axis	mm (inch)	762 ( 30.0 )	
	Z-axis	mm (inch)	650 ( 25.6 )	
Table	Distance from spindle nose to table top	mm (inch)	150 - 800 ( 5.9 - 31.5 )	200 - 850 ( 7.9 - 33.5 )
	Distance from spindle center to column guideway	mm (inch)	856 ( 33.7 )	
	Table size	mm (inch)	1630 x 760 [ 2160 x 760 ] ( 64.2 x 29.9 [ 85.0 x 29.9 ] )	
	Table loading capacity	kg (lb)	1500 [ 1800 ] ( 3306.9 [ 3968.3 ] )	
	Table surface	-	T-SLOT	
Spindle	Max. spindle speed	r/min	8000 { 12000 }	8000 { 10000 }
	Spindle taper	-	ISO #40, 7/24 TAPER	ISO #50, 7/24 TAPER
	Max. spindle torque	N·m (ft·lb)	117.1 { 95.5 } ( 86.4 { 70.5 } )	286.4 { 165.7 } ( 211.4 { 122.3 } )
	Spindle motor power	kW (Hp)	18.5 / 15 { 15 / 11, 15.6 / 15.6 } ( 24.8 / 20.1 { 20.1 / 14.8, 20.9 / 20.9 } )	15 / 11 { 26 / 22 } ( 20.1 / 14.8 { 34.9 / 29.5 } )
Feedrate	Rapid traverse rate ( X / Y / Z )	m/min (ipm)	30 / 30 / 24 [ 24 / 24 / 24 ] ( 1181.1 / 1181.1 / 1181.1 [ 826.8 / 826.8 / 826.8 ] )	
	Cutting feedrate	mm/min (ipm)	1-12000 ( 39.4 - 472441.0 )	
ATC	Type of tool shank	-	BT / CAT / DIN 40	BT / CAT / DIN 50
	Tool storage capacity	ea	30 { 40 / 60 }	24 { 30 }
	Max. tool diameter [ without adjacent tools ]	mm (inch)	80 [ 125 ] ( 3.1 [ 4.9 ] )	125 [ 220 ] ( 4.9 [ 8.7 ] )
	Max. tool length	mm (inch)	300 ( 11.8 )	350 ( 13.8 )
	Max. tool weight	kg (lb)	8 ( 17.6 )	15 ( 33.1 )
	Method of tool selection	-	MEMORY RANDOM	
	Tool change time ( tool-to-tool )	s	1.3	2.5
Tool change time ( chip-to-chip )	s	3.7	5.5	
Utility	Electric power supply ( Rated capacity )	kVA	40	40 { 50 }
Machine size	Machine height	mm (inch)	3170 ( 124.8 )	
	Machine dimension ( L x W )	mm (inch)	3850 [ 4900 ] x 3435 ( 151.6 [ 192.9 ] ) x 135.2	
	Machine weight	kg (lb)	13500 [ 15000 ] ( 29762.0 [ 33068.9 ] )	13800 [ 15300 ] ( 30423.3 [ 33730.2 ] )
CNC	NC		FANUC, Siemens, Heidenhain	

Note : { } are optional.

## Standard feature

- Assembly & operation tools
- Coolant tank & chip pan
- Door interlock
- Full enclosure splash guard
- Flood coolant system
- Installation parts
- Portable MPG
- Screw conveyor
- Signal tower ( red, yellow, green )
- Spindle head cooling system
- USB port, PCMCIA
- Work light

## Optional feature

- Automatic power off
- Automatic tool length measurement
- Hydraulic line for fixture
- Oil skimmer
- Pneumatic line for fixture
- Rotary table
- Test bar
- Through spindle coolant

# NC Unit Specifications

## DOOSAN-FANUC i

### Axes control

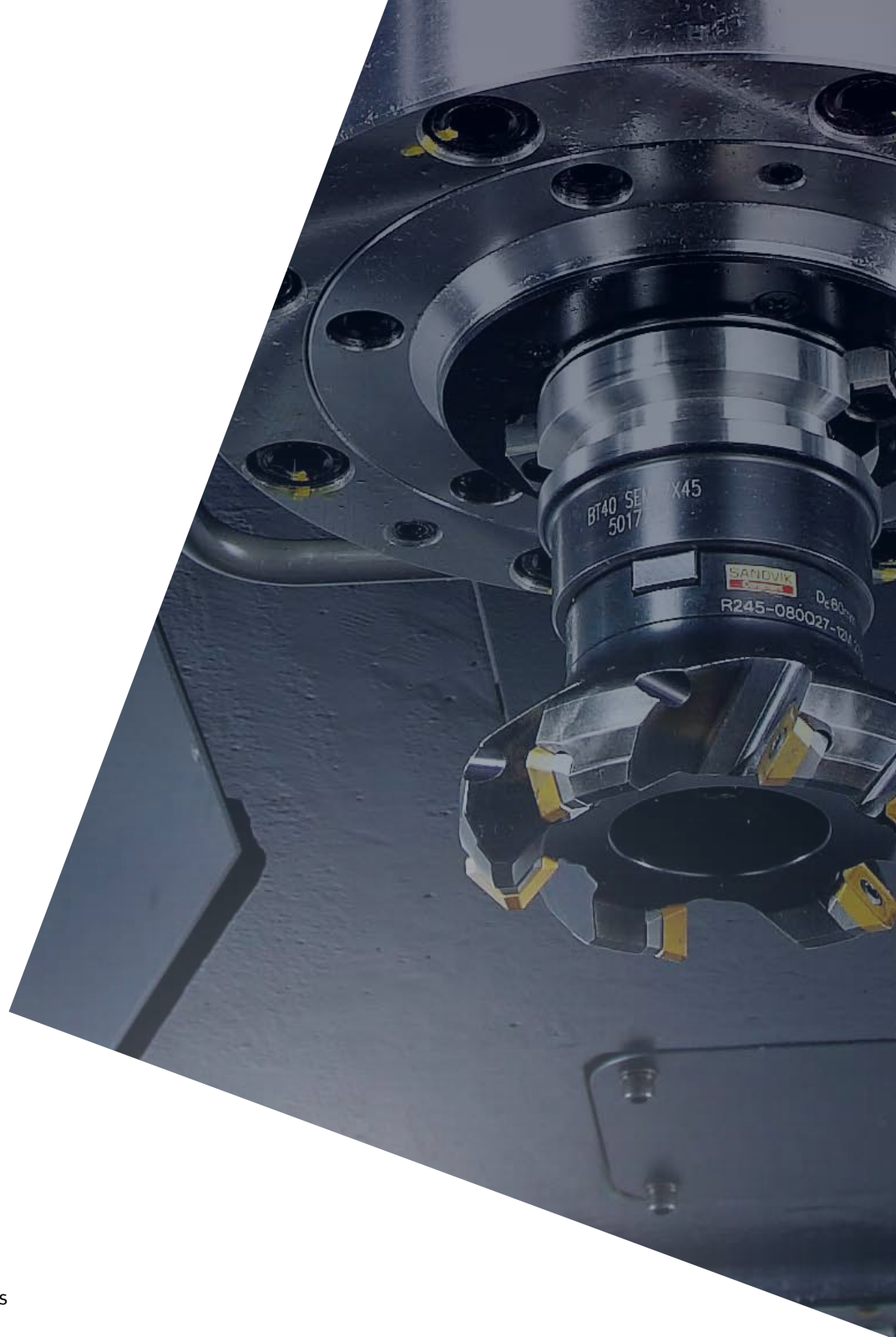
- Controlled axes	3 ( X, Y, Z )
- Simultaneously controllable axes	
Positioning ( G00 ) / Linear interpolation ( G01 )	: 3 axes
Circular interpolation ( G02, G03 )	: 2 axes
- Backlash compensation	
- Follow up	
- Least command increment	0.001mm
- Least input increment	0.001mm
- Machine lock	all axes / Z axis
- Mirror image	Reverse axis movement ( setting screen and M-function )
- Stored pitch error compensation	
Pitch error offset compensation for each axis	
- Stored stroke check 1	Overtravel controlled by software
- Absolute pulse coder	

### Interpolation & Feed funtion

- 2nd reference point return	G30
- Circular interpolation	G02, G03
- Cylindrical interpolation	G07.1
- Dwell	G04
- Exact stop check	G09, G61 ( mode )
- Feed per minute	
- Feedrate override ( 10% increments )	0 - 200 %
- Helical interpolation	
- Jog override ( 10% increments )	0 - 200 %
- Linear interpolation	G01
- Manual handle feed	1 units
- Manual handle feedrate	x1, x10, x100 ( per pulse )
- Override cancel	M48/M49
- Positioning	G00
- Rapid traverse override	F0 ( fine feed ), 25/50/100 %
- Reference point return	G27, G28, G29
- Skip function	G31

### Other Features

- Number of tool offsets	400 ea
- Tool life management	128 sets
- Tool offset memory C	
Geometry / Wear and Length / Radius offset memory	
- No. of Registered programs	400 ea
- Part program storage	1280 m
- Additional work coordinate system	G54.1 P1 - 48 ( 48 pairs )
- AICC1 : 40 block preview	
- DISPLAY unit : 10.4" Color TFT LCD	
- Embedded ethernet	



## Doosan Machine Tools

<http://www.doosanmachinetools.com>

[www.facebook.com/doosanmachinetools](https://www.facebook.com/doosanmachinetools)

### *Optimal Solutions for the Future*

#### **Head Office**

Yeonkang Bldg., 6th FL., 270, Yeonji-dong,  
Jongno-gu, Seoul, Korea  
Tel +82-2-3670-5345 / 5362  
Fax +82-2-3670-5382

#### **Doosan Machine Tools America**

19A Chapin Rd., Pine Brook, NJ 07058, U.S.A.  
Tel +1-973-618-2500  
Fax +1-973-618-2501

#### **Doosan Machine Tools China**

Room 101,201,301, Building 39 Xinzhuan Highway  
No.258 Songjiang District, China Shanghai(201612)  
Tel +86 21-5445-1155  
Fax +86 21-6405-1472

#### **Doosan Machine Tools Europe**

Emdener Strasse 24, D-41540 Dormagen, Germany  
Tel +49-2133-5067-100  
Fax +49-2133-5067-001

#### **Doosan Machine Tools Japan**

#2412, Mita Kokusai Bldg. 1-4-28 Mita,  
Minato-ku, Tokyo 108-0073, Japan  
Tel +81 3 5730 9013  
Fax +81 3 5730 9016

#### **Doosan Machine Tools India**


106 / 10-11-12, Amruthahalli, Byatarayanapura,  
Bellary road, Bangalore-560 092, India  
Tel +91-80-4266-0122 / 121 / 100



ver. EN 160502 SU

\* For more details, please contact Doosan Machine Tools.

\* The specifications and information above-mentioned may be changed without prior notice.

\* Doosan Machine Tools Co., Ltd. is a subsidiary of MBK Partners, a Korean private equity firm. The trademark  **DOOSAN** is used under a licensing agreement with Doosan Corporation, the registered trademark holder.