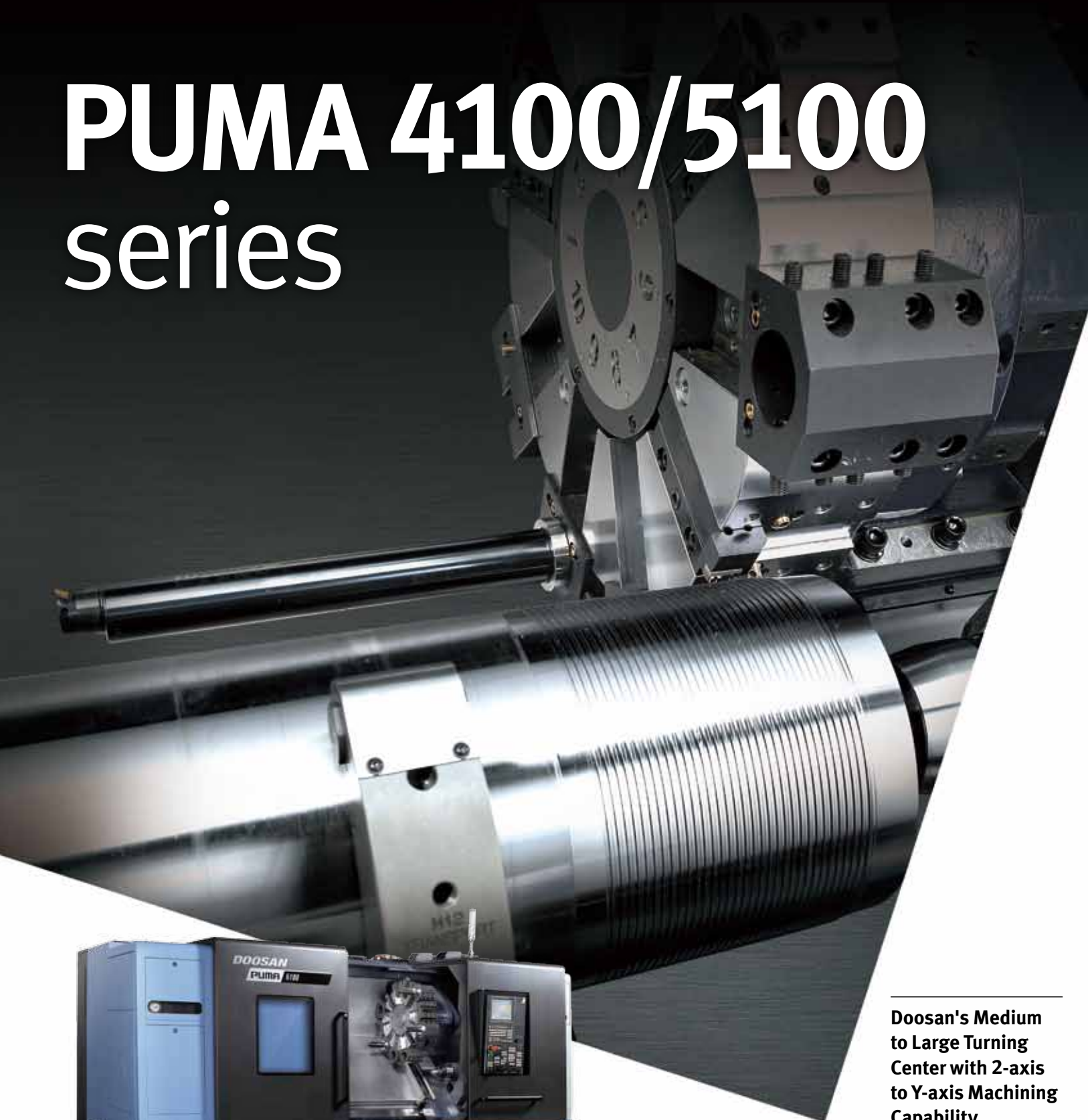




Optimal Solutions for the Future

PUMA 4100/5100 series



**Doosan's Medium
to Large Turning
Center with 2-axis
to Y-axis Machining
Capability**

**PUMA 4100 series
PUMA 5100 series**

ver. EN 160502 SU

Basic Information

Basic Structure
Cutting
Performance

Detailed Information

Options
Applications
Capacity Diagram
Specifications

Customer Support Service



PUMA 4100/5100 series

PUMA 4100/5100 series are horizontal turning centers designed for machining medium to large size workpieces. It ensures powerful machining capability by using a 2 step gearbox and high torque motors together with a rigid box guideway structure. Also, it can process complex workpieces by using the optional Y axis function. In addition, the optional Doosan threading functions, especially for Oil/Gas industry parts, makes it the solution for a wide variety of applications.



Contents

02 Product Overview

Basic Information

04 Basic Structure

07 Cutting Performance

Detailed Information

08 Standard / Optional Specifications

10 Applications

12 Capacity Diagram

22 Machine / NC Unit Specifications

26 Customer Support Service

Various Line-up

- For machining various medium to large size workpieces, the PUMA 4100/5100 series offers 25 models in the line-up. This consists of chuck sizes from 12" to 21" diameter with optional big bore spindle, 1m or 2m turning length and 2 axis to Y axis configurations.

Powerful machining capability

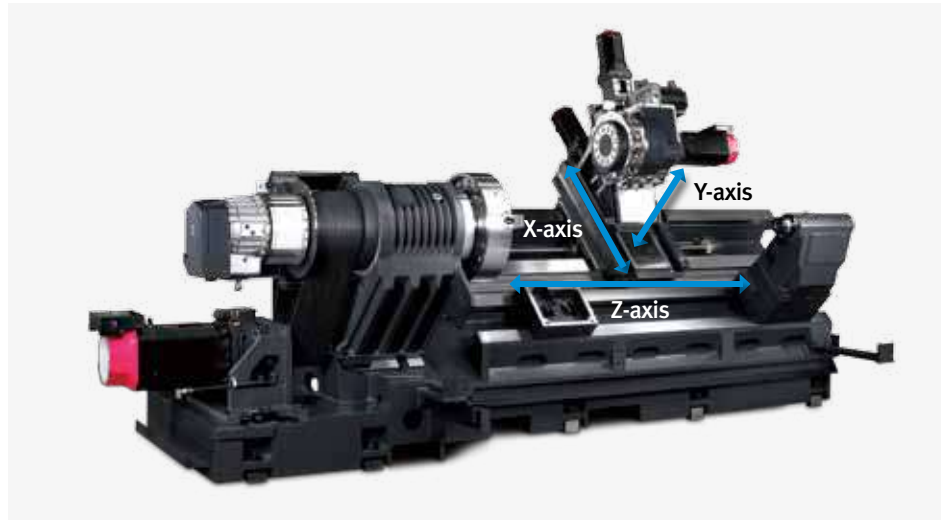
- PUMA 4100/5100 series have powerful machining capability with optimized cutting performance due to the 2 speed gearbox and high torque spindle motors, and stable box guideway structure.

Improve convenience

- PUMA 4100/5100 series can process complex parts in just one setup by applying the optional Y axis function. In addition, the newly designed operation panel and optional threading functions optimize the operators convenience.

Basic Structure

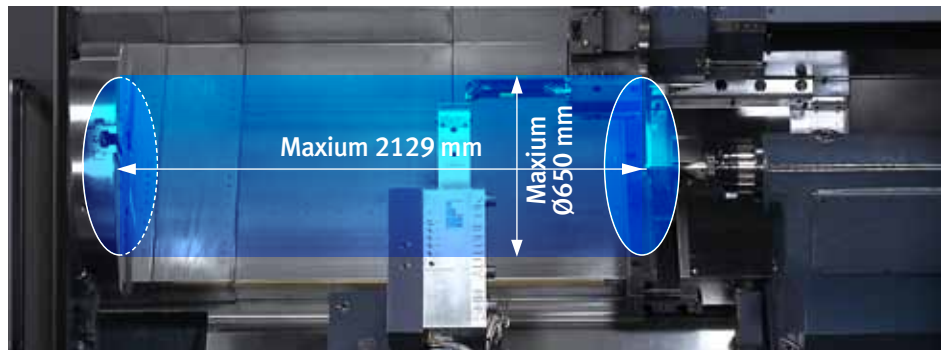
Machine capability ranges from 2 axis to Y axis, which allows large, complex parts to be completed in a single setup.



Model	Chuck size (inch)	1m (Std.)			2m (L)			
		2-axis	M	Y	2-axis	M	Y	
PUMA 4100	A	12	○	○	-	○	○	-
	B	15	○	○	-	○	○	-
	C	21	○	-	-	○	-	-
PUMA 5100	A	15	○	○	-	○	○	○
	B	21	○	○	-	○	○	○
	C	Big Bore	○	-	-	○	-	○

Machining area

The largest work envelop in its class with maximum turning diameter of Ø650 mm and maximum turning length of 2m.



Max. turning diameter

Ø650 mm
(Ø25.6 inch)

Max. turning length

2129 mm
(83.8 inch)

Unit : mm (inch)

Function		Model	Max. turning diameter	Max. turning length
2-axis	2-axis	PUMA 4100A/B/C	550 (21.7)	1079 / 1043 / 1024 (42.5 / 41.1 / 40.3)
		PUMA 4100LA/LB/LC		2129 / 2093 / 2074 (83.8 / 82.4 / 81.7)
	M	PUMA 4100MA/MB/MC	560 (22.0)	1014 / 978 / 959 (39.9 / 38.5 / 37.8)
		PUMA 4100LMA/LMB/LMC		2064 / 2028 / 2009 (81.3 / 79.8 / 79.1)
PUMA 5100	2-axis	PUMA 5100A/B/C	650 (25.6)	992 (39.1)
		PUMA 5100LA/LB/LC		2042 (80.4)
	M	PUMA 5100MA/MB		951 (37.4)
		PUMA 5100LMA/LMB		2001 (78.8)
	M	PUMA 5100LYA/LYB/LYC		650 (25.6)

Machining area

The machines are available with a variety of spindle through bore sizes to provide the ideal solution for customers pipe diameters.



Max. spindle through hole diameter

Ø275 mm
(Ø10.8 inch)

Unit : mm (inch)

Model	Max. spindle through hole diameter	
PUMA 4100	A	102 (4.0)
	B	132 (5.2)
	C	181 (7.1)
PUMA 5100	A	132 (5.2)
	B	181 (7.1)
	C	275 (10.8)

Spindle

The gearbox design allows PUMA 4100/5100 spindle to have unparalleled power and torque, which boosts productivity with extreme heavy-duty cutting capability.



Max. spindle speed

1500 r/min

Max. spindle power (30min / Cont.)

45/37 kW
(60.3 / 49.6 Hp)

Max. spindle torque

4038 N·m
(2980.0 ft-lb)

PUMA 5100B

Model	Max. spindle speed r/min	Max. spindle power (30min / Cont.) kW (Hp)	Max. spindle torque N·m (ft-lb)
PUMA 4100A/LA	3000	35 (S3 25%) / 26 / 22 (46.9(S3 25%) / 34.9 / 29.5)	1584 (1169.0)
PUMA 4100B/LB	2000	35 (S3 25%) / 26 / 22 (46.9(S3 25%) / 34.9 / 29.5)	2379 (1755.7)
PUMA 4100C/LC	1500	37 / 30 (49.6 / 40.2)	3280 (2420.6)
PUMA 4100MA/LMA	3000	30 / 22 (40.2 / 29.5)	832 (614.0)
PUMA 4100MB/LMB	2000	30 / 22 (40.2 / 29.5)	1611 (1188.9)
PUMA 4100MC/LMC	1500	37 / 30 (49.6 / 40.2)	2432 (1794.8)
PUMA 5100A/LA	2000	37 / 30 (49.6 / 40.2)	3280 (2420.6)
PUMA 5100B/LB	1500	45 / 37 (60.3 / 49.6)	4038 (2980.0)
PUMA 5100C/LC	1000	45 / 37 (60.3 / 49.6)	4463 (3293.7)
PUMA 5100MA/LMA	2000	37 / 30 (49.6 / 40.2)	2432 (1794.8)
PUMA 5100MB/LMB	1500	45 / 37 (60.3 / 49.6)	2957 (2182.3)
PUMA 5100LYA	2000	37 / 30 (49.6 / 40.2)	2431 (1794.1)
PUMA 5100LYB	1500	45 / 37 (60.3 / 49.6)	2957 (2182.3)
PUMA 5100LYC	1000	45 / 37 (60.3 / 49.6)	3268 (2411.8)

Basic Information

Basic Structure
Cutting
Performance

Detailed Information

Options
Applications
Capacity Diagram
Specifications

Customer Support Service

Tailstock

High rigidity hydraulic tailstock is rigidly clamped to the bed slide way to provide stable support for long workpieces.



Tailstock travel

1000 mm / 2050 mm (39.4 / 80.7 inch)

Model	Tailstock travel	Quill diameter	Quill travel	Std.	Opt.
PUMA 4100/M, PUMA 5100/M	1000 (39.4)	120 (4.7)	120 (4.7)	Manual	Programmable
PUMA 4100L/LM, PUMA 5100L/LM	2050 (80.7)	120 (4.7)	120 (4.7)	Manual	Programmable
PUMA 5100LY	2050 (80.7)	120 (4.7)	140 (5.5)	Programmable	-

Turret

Turret rotation is controlled by servo motor for fast and reliable tool selection. Doosan's unique BMT85P turret design is used on M and Y specification models to boost heavy duty milling performance.



2-axis model

No. of tool stations

PUMA 4100A/LA
12ea (std.) / 10ea option

PUMA 4100B/LB/C/LC
PUMA 5100 series

10ea (std.) / 12ea option



M,Y Model

BMT75P

No. of tool stations

12ea

Cutting performance

Multi-functionality including end milling, face milling, drilling, tapping, etc. offers better machining performance while minimizing work setting.



O.D turning	
Cutting speed	210 m/min (8267.7 ipm)
Feedrate	0.55 mm/rev
Cutting depth	11.9 mm (0.5 inch)



ID turning (Rough cutting)	
Cutting speed	280 m/min (11023.6 ipm)
Feedrate	0.1 mm/rev
Cutting depth	3 mm (0.1 inch)
Tool length	4.0D



U-Drill (2-axis)	
Cutting Tool	80 mm (3.1 inch)
Spindle speed	750 r/min
Feedrate	0.2 mm/rev



Face milling	
Face mill dia.	63 mm (2.5 inch)
Cutting speed	176 m/min (6.9 ipm)
Feedrate	900 mm/min (35.4 ipm)
Cutting depth	6 mm (0.2 inch)



U-Drill (3-axis)	
Cutting Tool	25 mm (1.0 inch)
Spindle speed	2500 r/min
Feedrate	0.3 mm/rev

- * This test result come from under condition
- 1) Material : Steel (SM45C)
 - 2) Test Machine :PUMA 5100LMA
 - Main spindle motor : 37 / 30 kW (49.6 / 40.2 Hp)
 - Rotary tool motor : 11 / 5.5 kW (14.8 / 7.4 Hp)

* The results, indicated in this catalogue are provides as example. They may not be obtained due to differences in cutting conditions and environmental conditions during measurement.

Peripheral equipments

Long boring bar option



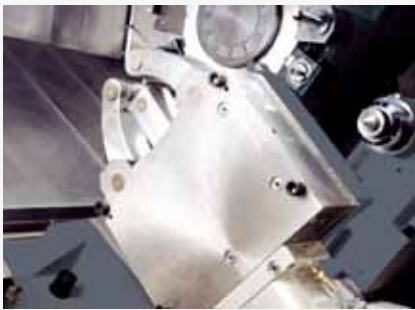
The long boring bar option allows you to easily machine deep holes to minimize cycle time. Please consult with Doosan specialist for details.

Twin chucking option

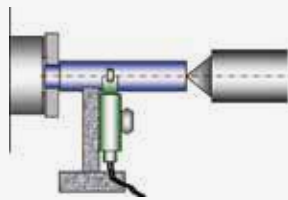


For more stable pipe threading process, twin chucking option (manual or pneumatic) is available. Please consult with Doosan specialist for details.

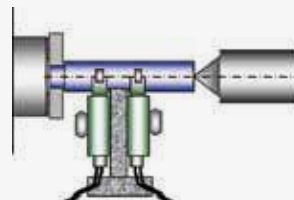
Steady rest option



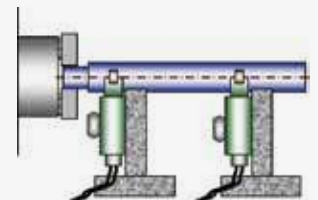
SINGLE



DOUBLE



TWIN



For turning a part with extensive length, various types of hydraulic steady rests (Single, Double or Twin type) are available.

Chip conveyor (Right side) option



Hinged belt



Magnetic scraper



Coolant tank



Doosan's ergonomic roller coolant tank design, allows users to easily replace and refill coolant. Roller on the coolant tank allows users to simply take out and put it back in the machine like a drawer unit.

Chip conveyor type	Material	Description
Hinged belt	Steel	Hinged belt chip conveyor, which is most commonly used for steel work (for cleaning chips longer than 30mm), is available as an option.
Magnetic scraper	Cast Iron	Magnetic scraper type chip conveyor, which is ideal for diecasting work (for cleaning small chips), is available as an option.

Product Overview

Basic Information

Basic Structure
Cutting
Performance

Detailed Information

Options
Applications
Capacity Diagram
Specifications

Customer Support Service

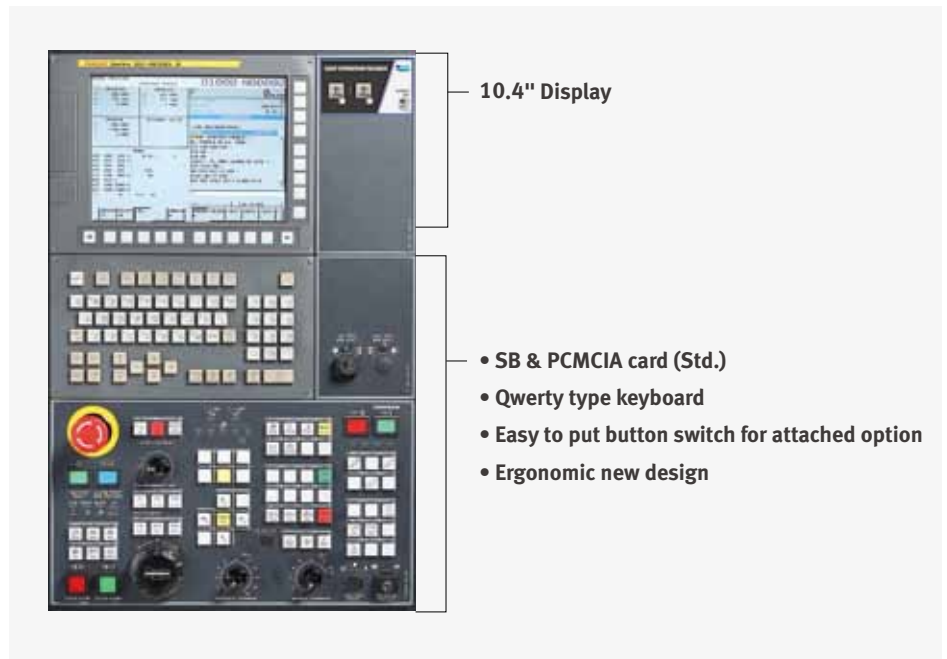


FANUC

Fanuc CNC is tuned ideally to PUMA 4100 / 5100 series, in order to maximize productivity.

User-friendly operation panel

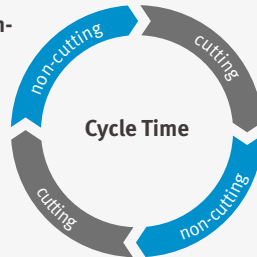
The newly designed operation panel groups all of the common buttons together to enhance operator's convenience. Also, 'QWERTY' keypad is applied as standard to improve convenience of users who are accustomed to PC keyboards.



Easy Operation Package

Increase Productivity

Reduced non-cutting time by 10%



Minimizes non-cutting time to further improve productivity.

Operation rate



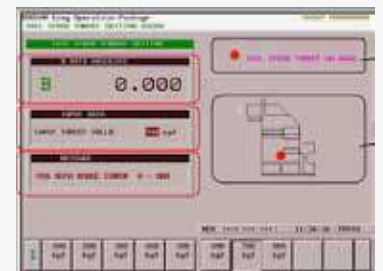
Function allows users to easily keep track of machine operating hours and the number of completed parts.

Tool load monitoring



This function detects overload on tools, caused by wear and damage, and triggers an alarm to minimize damage.

Tail stock thrust force setting option



This function allows users to easily setup tailstock thrust force on the screen.

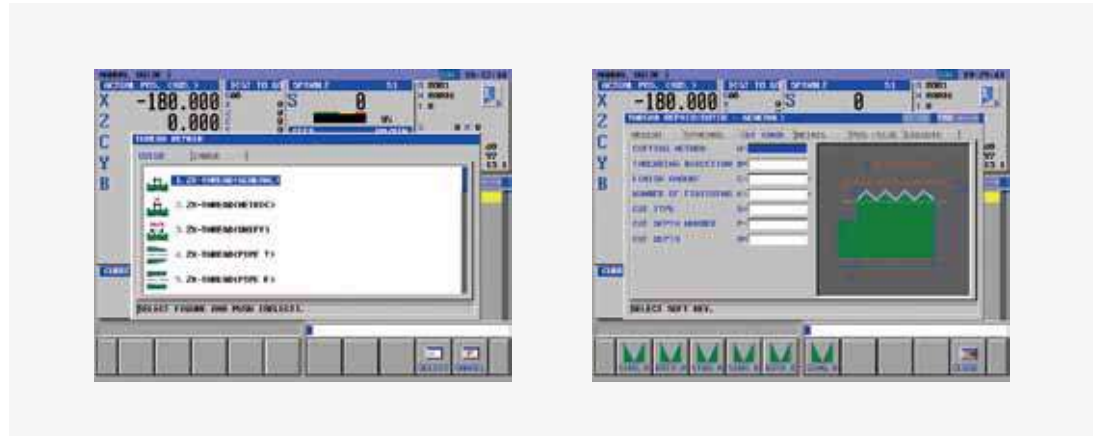
Stable threading performance

All PUMA 4100 / 5100 series (2-Axis* to Y-Axis) are capable of threading work.

* In order to re-machine threads or perform arbitrary speed threading on a 2-Axis machine, additional optional devices have to be selected.

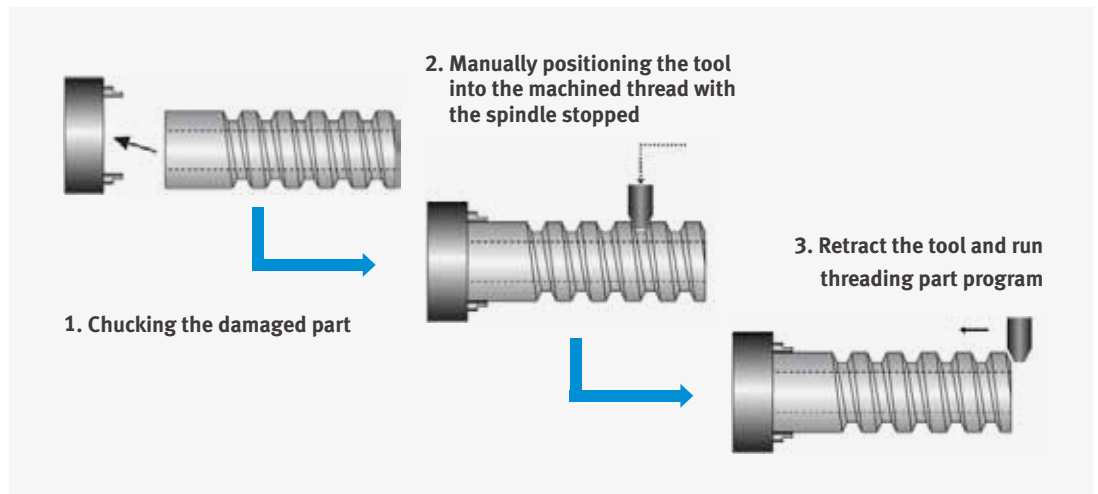
Threading repair function

This function allows users to repair thread even when original program is not available and this is a standard Fanuc NC function.



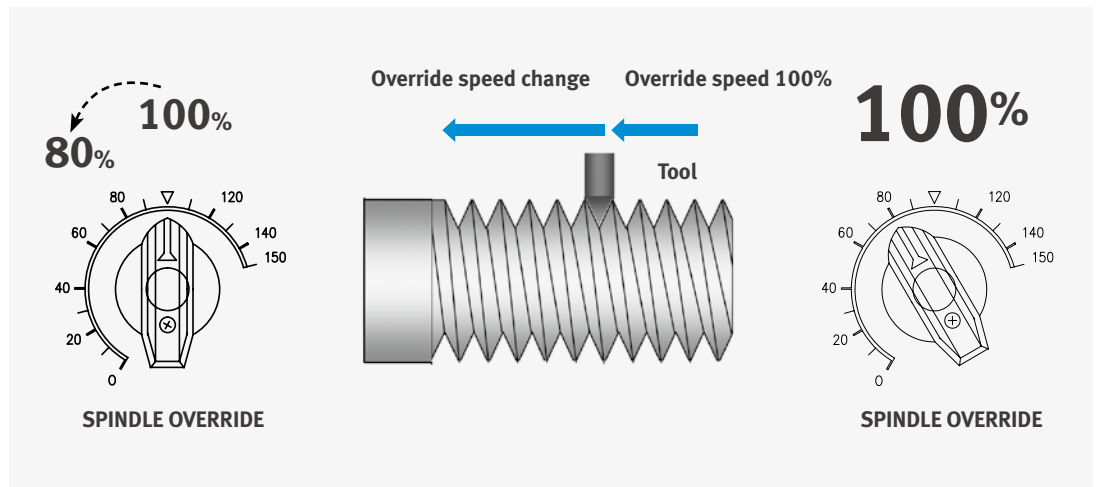
Re-machining function option

This function allows users to re-machine damaged threads by using the existing program.



Arbitrary speed threading option

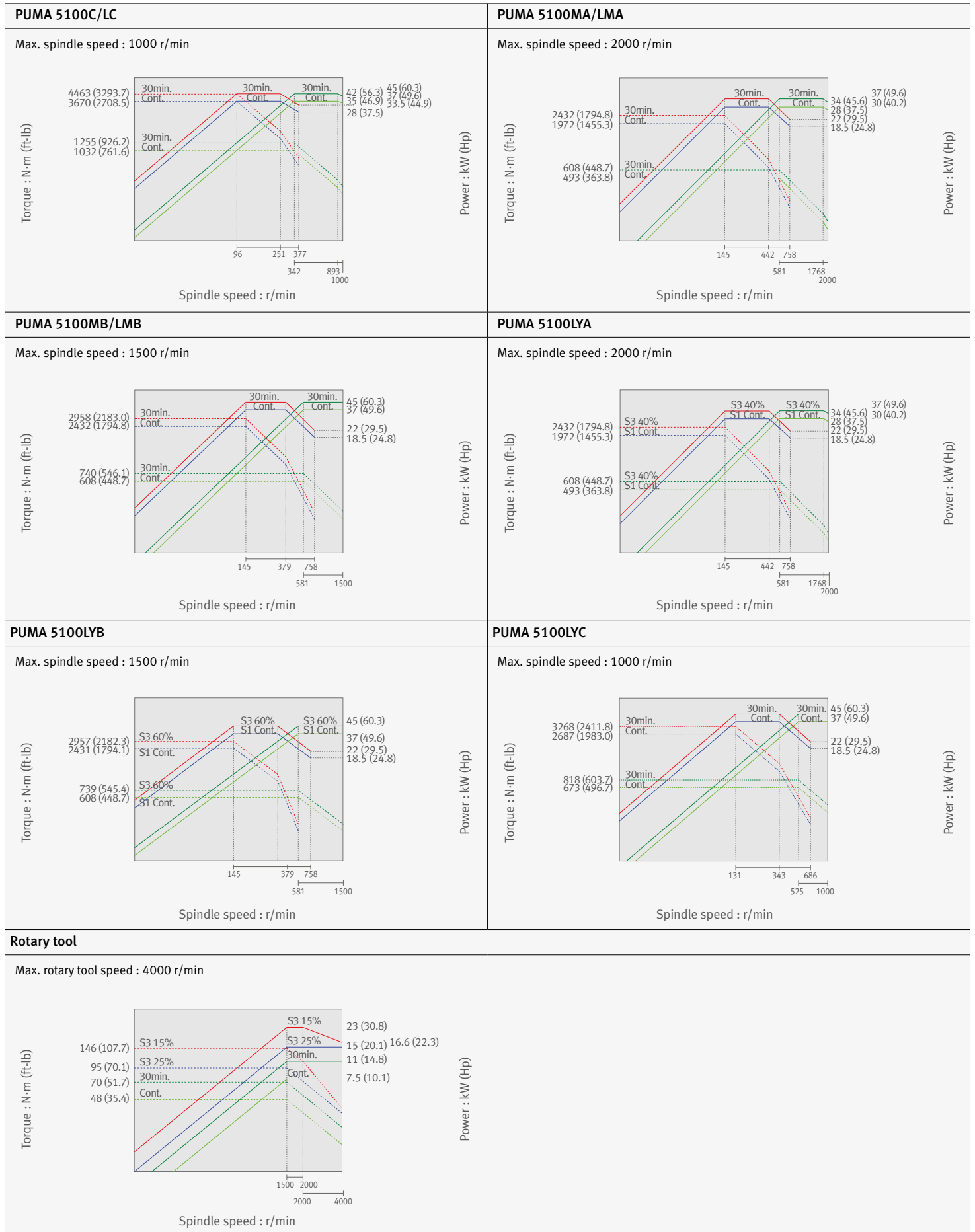
This function allows users to control spindle speed in order to set it at an ideal machining condition to keep the best thread quality.



Power-Torque Diagram

<p>PUMA 4100A/LA</p> <p>Max. spindle speed : 3000 r/min</p> <p>Torque : N-m (ft-lb)</p> <p>Power : kW (Hp)</p> <p>Spindle speed : r/min</p>	<p>PUMA 4100B/LB</p> <p>Max. spindle speed : 2000 r/min</p> <p>Torque : N-m (ft-lb)</p> <p>Power : kW (Hp)</p> <p>Spindle speed : r/min</p>
<p>PUMA 4100C/LC</p> <p>Max. spindle speed : 1500 r/min</p> <p>Torque : N-m (ft-lb)</p> <p>Power : kW (Hp)</p> <p>Spindle speed : r/min</p>	<p>PUMA 4100MA/LMA</p> <p>Max. spindle speed : 3000 r/min</p> <p>Torque : N-m (ft-lb)</p> <p>Power : kW (Hp)</p> <p>Spindle speed : r/min</p>
<p>PUMA 4100MB/LMB</p> <p>Max. spindle speed : 2000 r/min</p> <p>Torque : N-m (ft-lb)</p> <p>Power : kW (Hp)</p> <p>Spindle speed : r/min</p>	<p>PUMA 4100MC/LMC</p> <p>Max. spindle speed : 1500 r/min</p> <p>Torque : N-m (ft-lb)</p> <p>Power : kW (Hp)</p> <p>Spindle speed : r/min</p>
<p>PUMA 5100A/LA</p> <p>Max. spindle speed : 2000 r/min</p> <p>Torque : N-m (ft-lb)</p> <p>Power : kW (Hp)</p> <p>Spindle speed : r/min</p>	<p>PUMA 5100B/LB</p> <p>Max. spindle speed : 1500 r/min</p> <p>Torque : N-m (ft-lb)</p> <p>Power : kW (Hp)</p> <p>Spindle speed : r/min</p>

Power-Torque Diagram



External Dimensions

Basic Information

Basic Structure
Cutting
Performance

PUMA 4100 / 5100 series

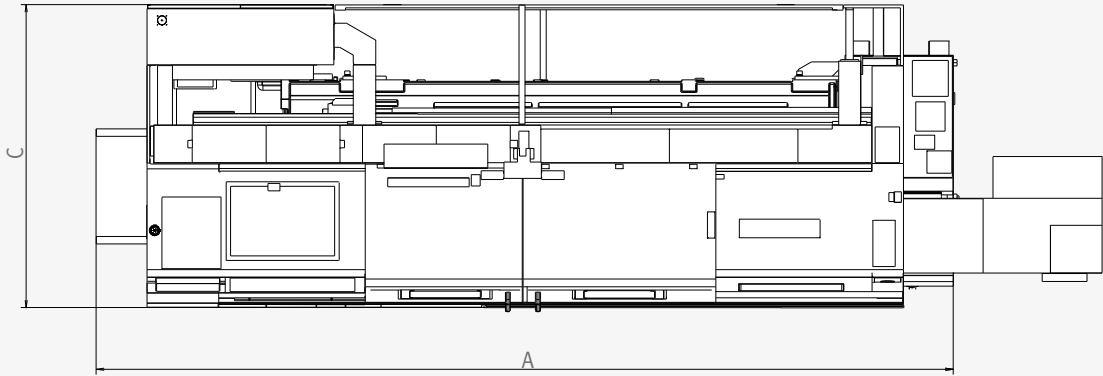
Unit : mm (inch)

Detailed Information

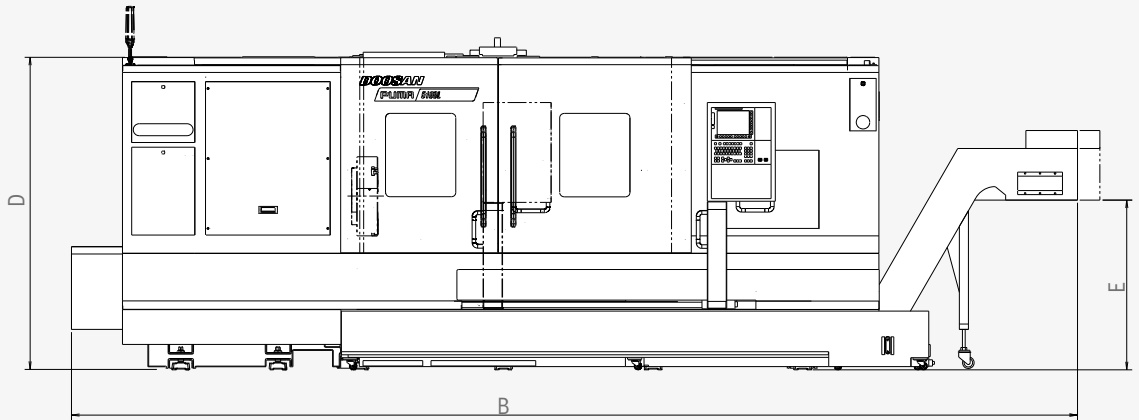
Options
Applications
Capacity Diagram
Specifications

Customer Support Service

Top view



Front view

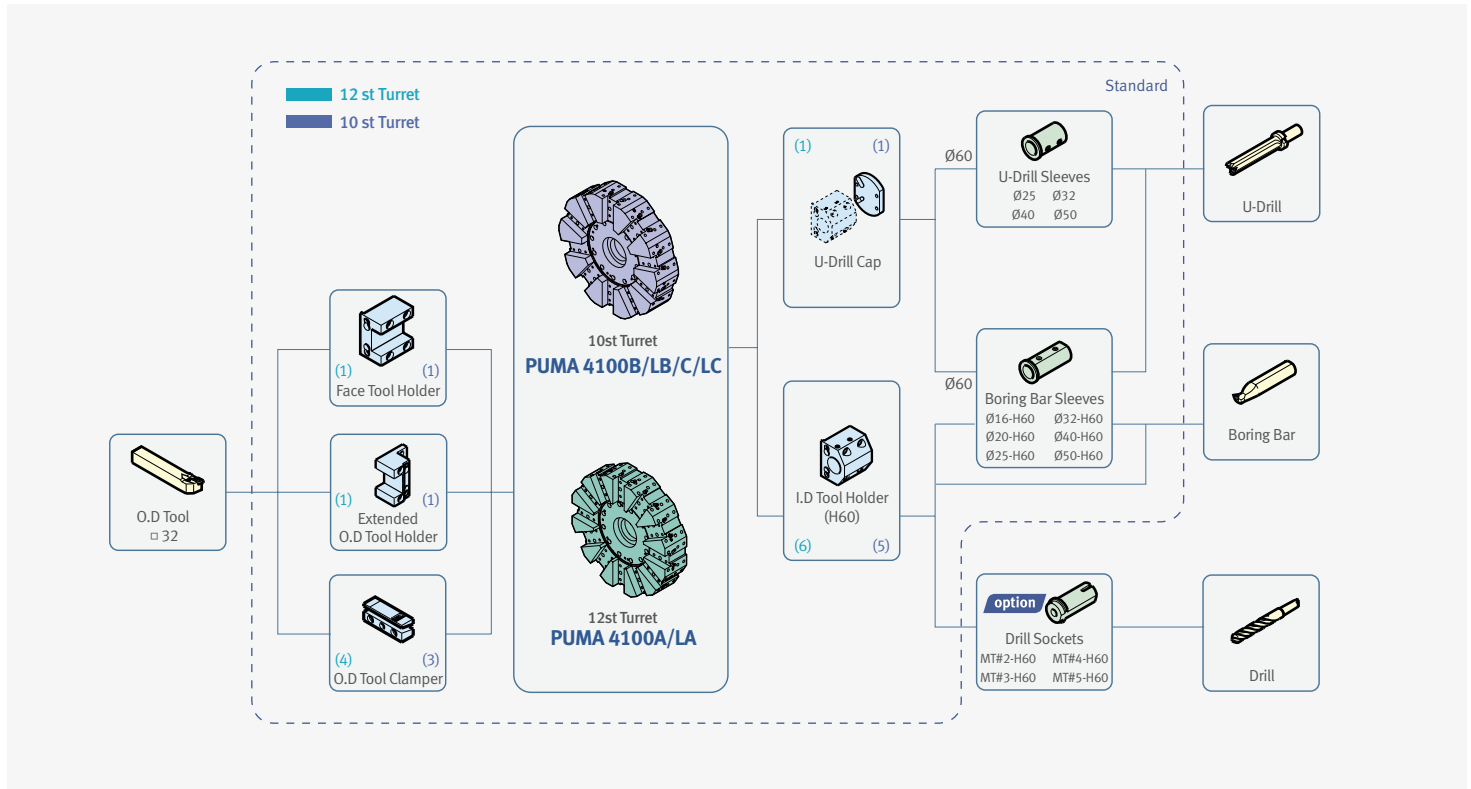


Model	A (Length)	B (Length with chip conveyor)	C (Width)	D (Height)	E (Height of ground to chip outlet)
PUMA 4100/5100	4654 (183.2)	5549 (218.5)	2056 (80.9)	2194 (86.4)	1053 (41.5)
PUMA 4100L/5100L	5774 (227.3)	6669 (262.6)	2275 (89.6)	2222 (87.5)	1053 (41.5)
PUMA 4100M/5100M	4685 (184.4)	5580 (219.7)	2275 (89.6)	2222 (87.5)	1053 (41.5)
PUMA 4100LM/5100LM	5774 (227.3)	6669 (262.6)	2275 (89.6)	2222 (87.5)	1053 (41.5)
PUMA 5100LY	5980 (235.4)	6890 (271.3)	2522 (99.3)	2885 (113.6)	1050 (41.3)

Tooling System

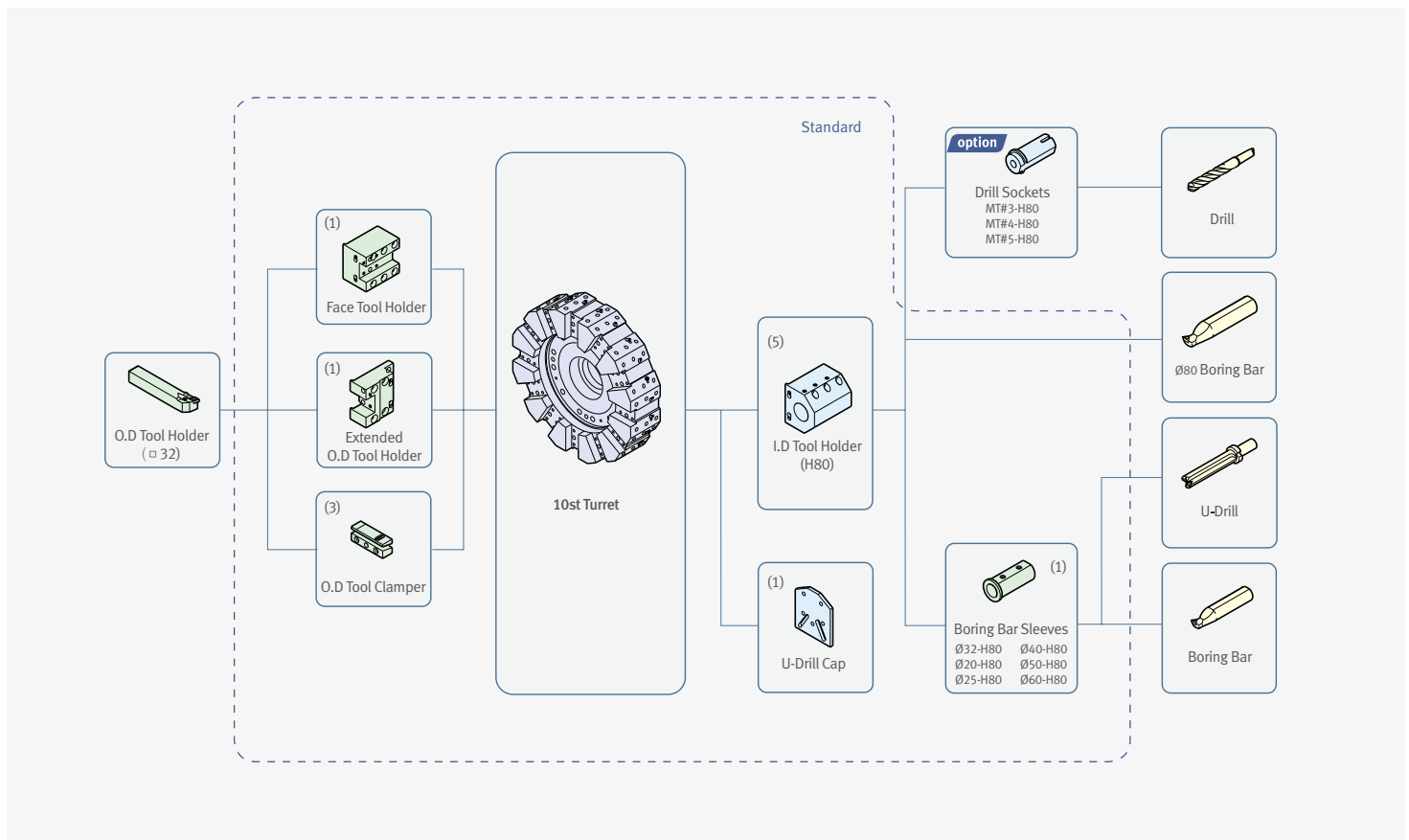
PUMA 4100

Unit : mm (inch)



PUMA 5100

Unit : mm (inch)



Tooling System

Basic Information

PUMA 4100M/LM, PUMA 5100M/LM/LY

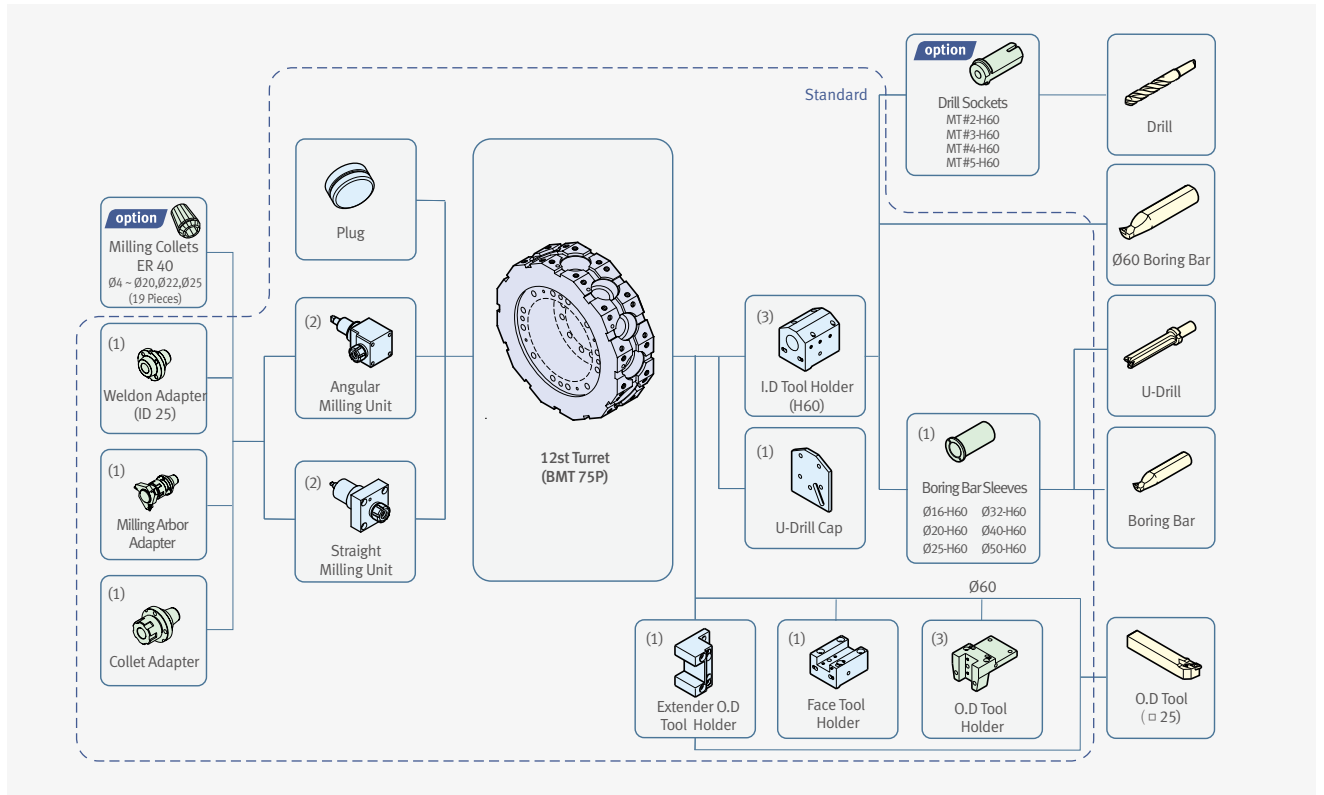
Unit : mm (inch)

Basic Structure
Cutting
Performance

Detailed Information

Options
Applications
Capacity Diagram
Specifications

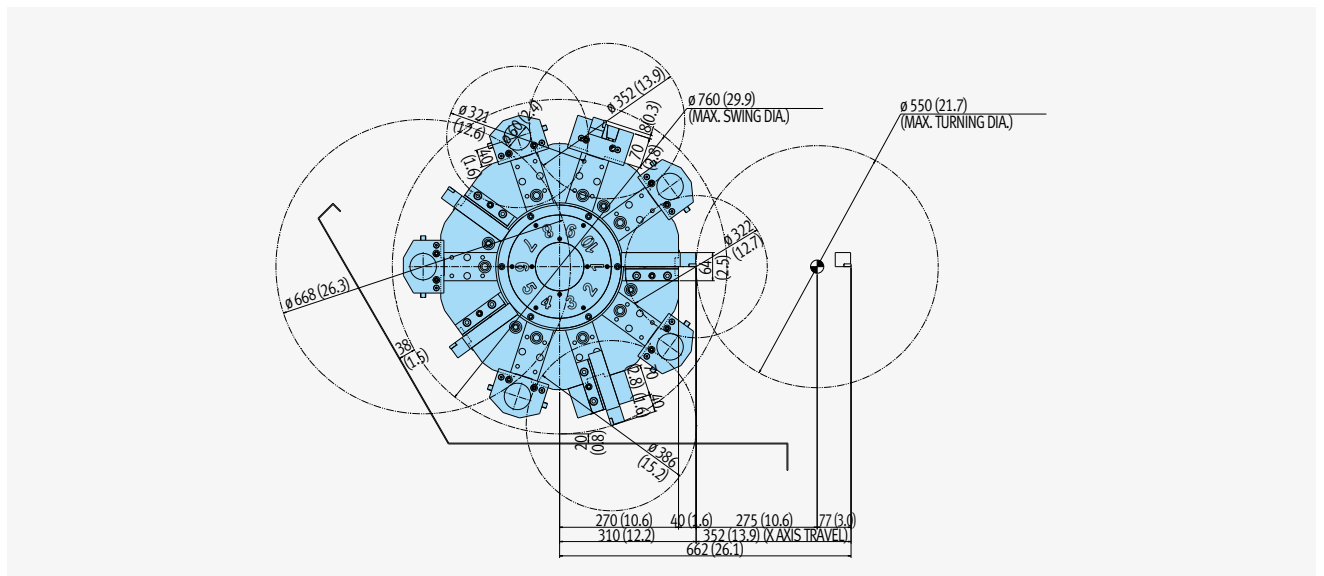
Customer Support Service



Tool Interference Diagram

PUMA 4100 (10 station)

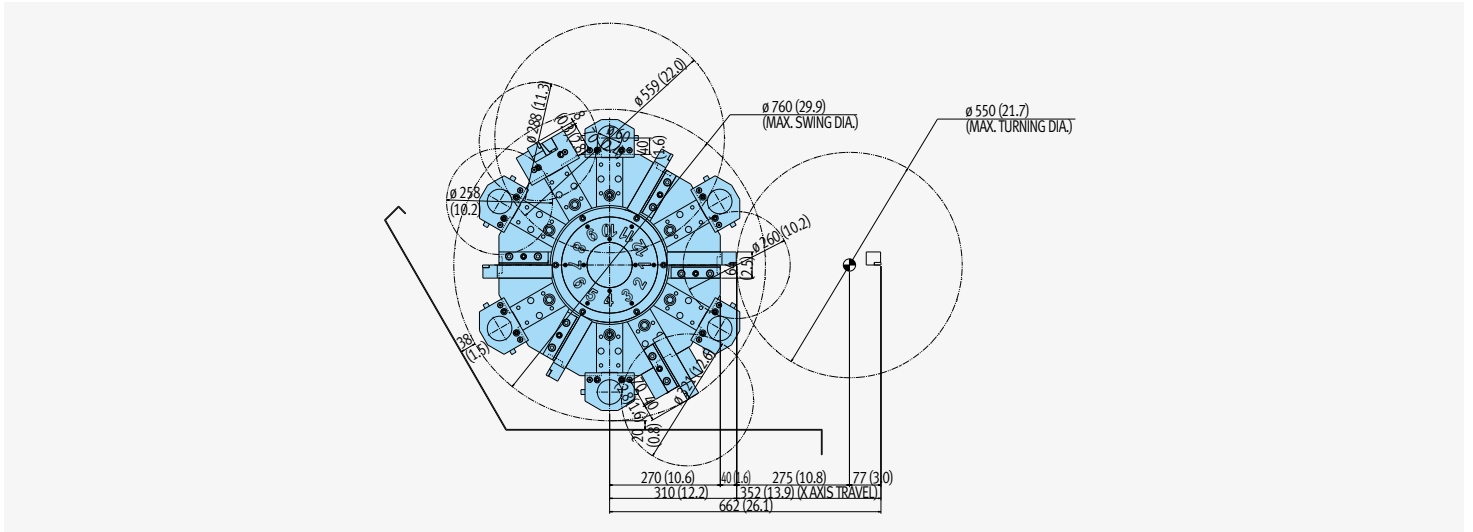
Unit : mm (inch)



Tool Interference Diagram

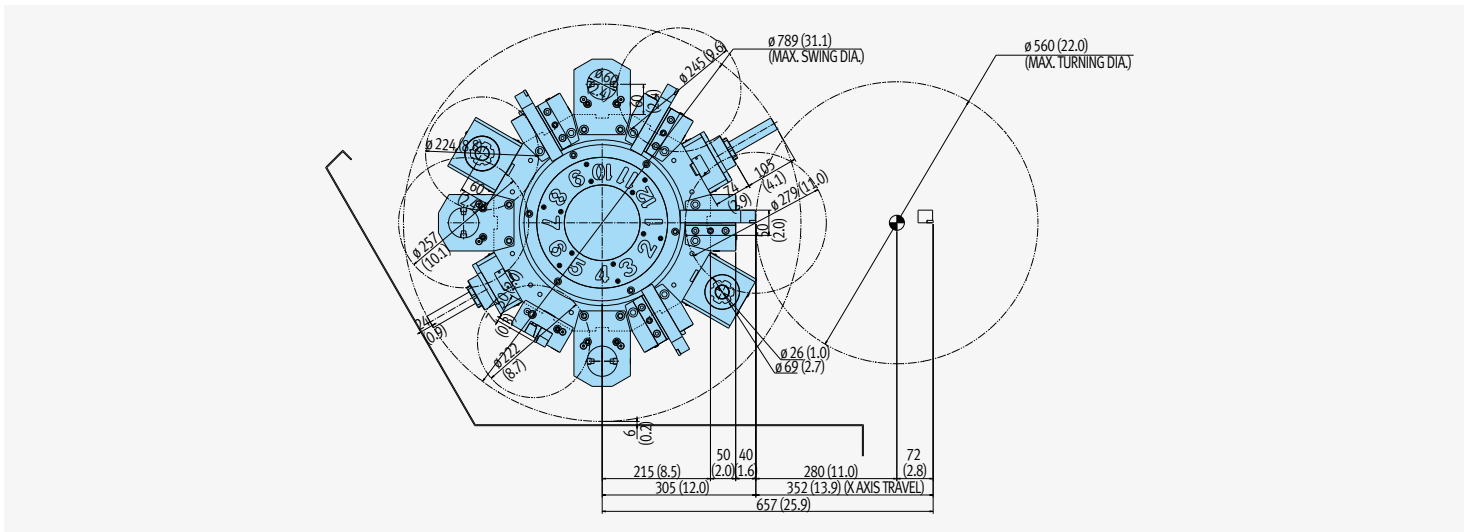
PUMA 4100 (12 station)

Unit : mm (inch)



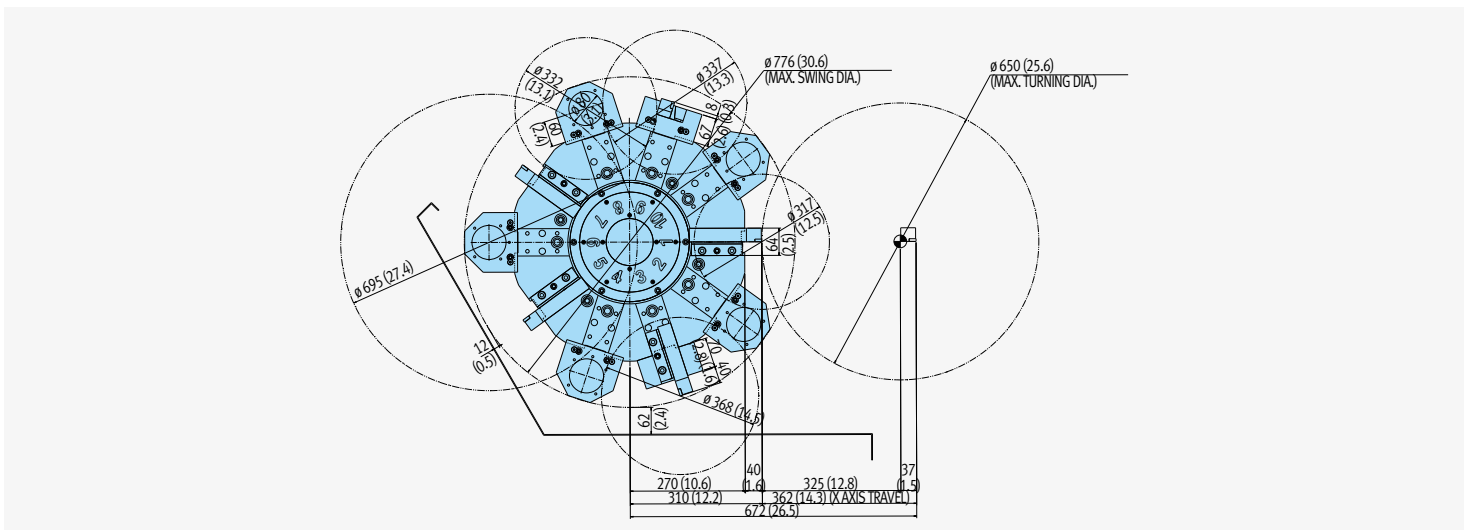
PUMA 4100M (12 station)

Unit : mm (inch)



PUMA 5100 (10 station)

Unit : mm (inch)



Tool Interference Diagram

Basic Information

PUMA 5100 (12station)

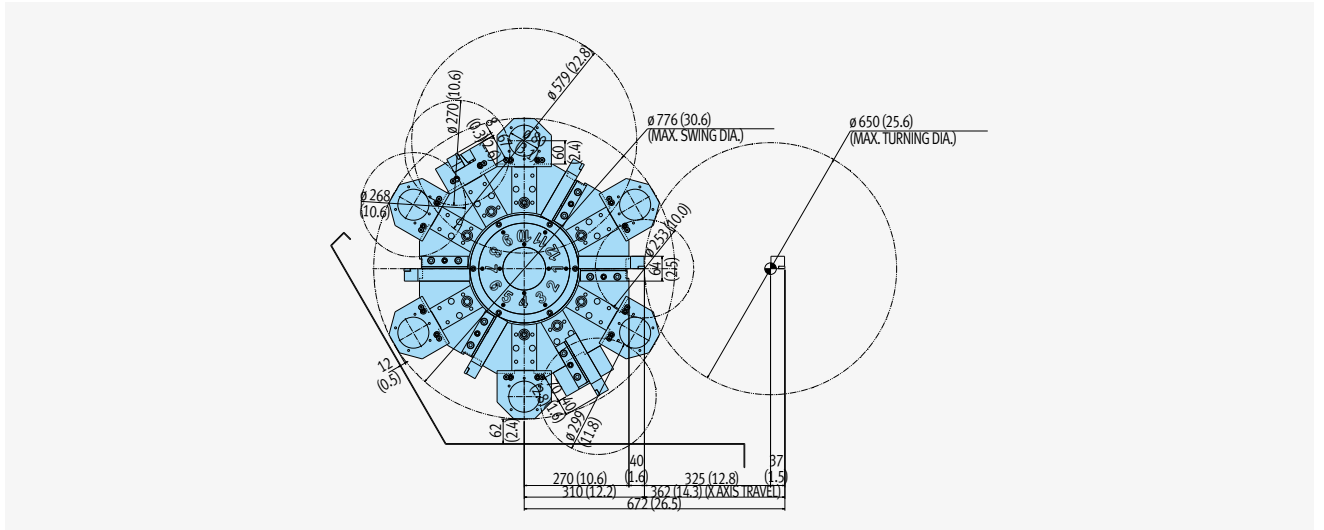
Unit : mm (inch)

Basic Structure
Cutting
Performance

Detailed Information

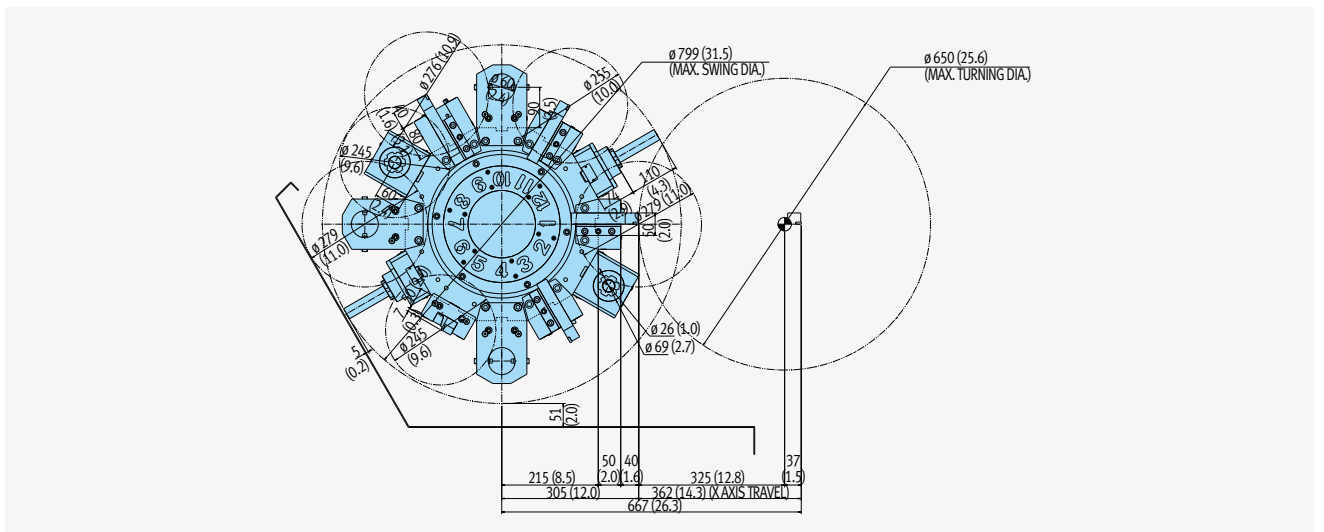
Options
Applications
Capacity Diagram
Specifications

Customer Support Service



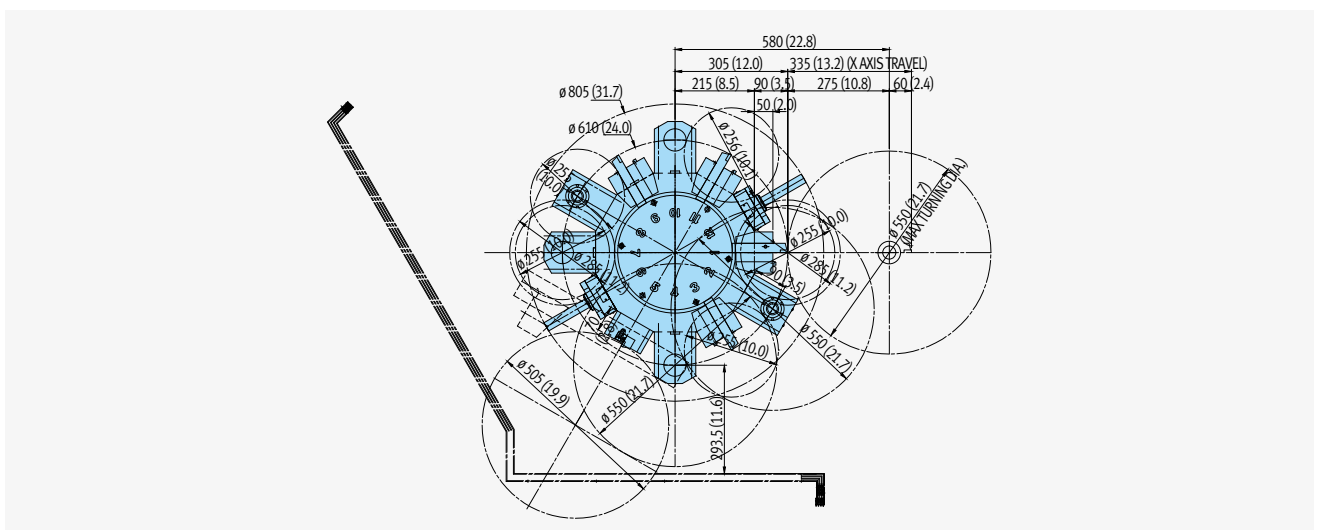
PUMA 5100M (12 station)

Unit : mm (inch)



PUMA 5100LY (12 station)

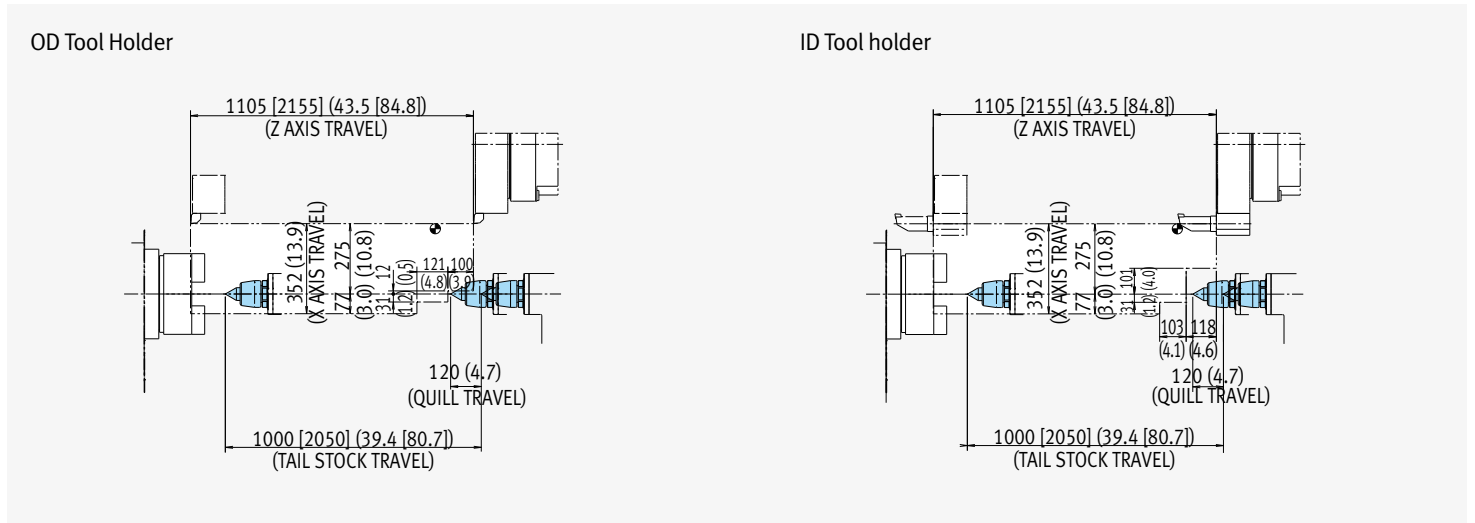
Unit : mm (inch)



Working Range Diagram

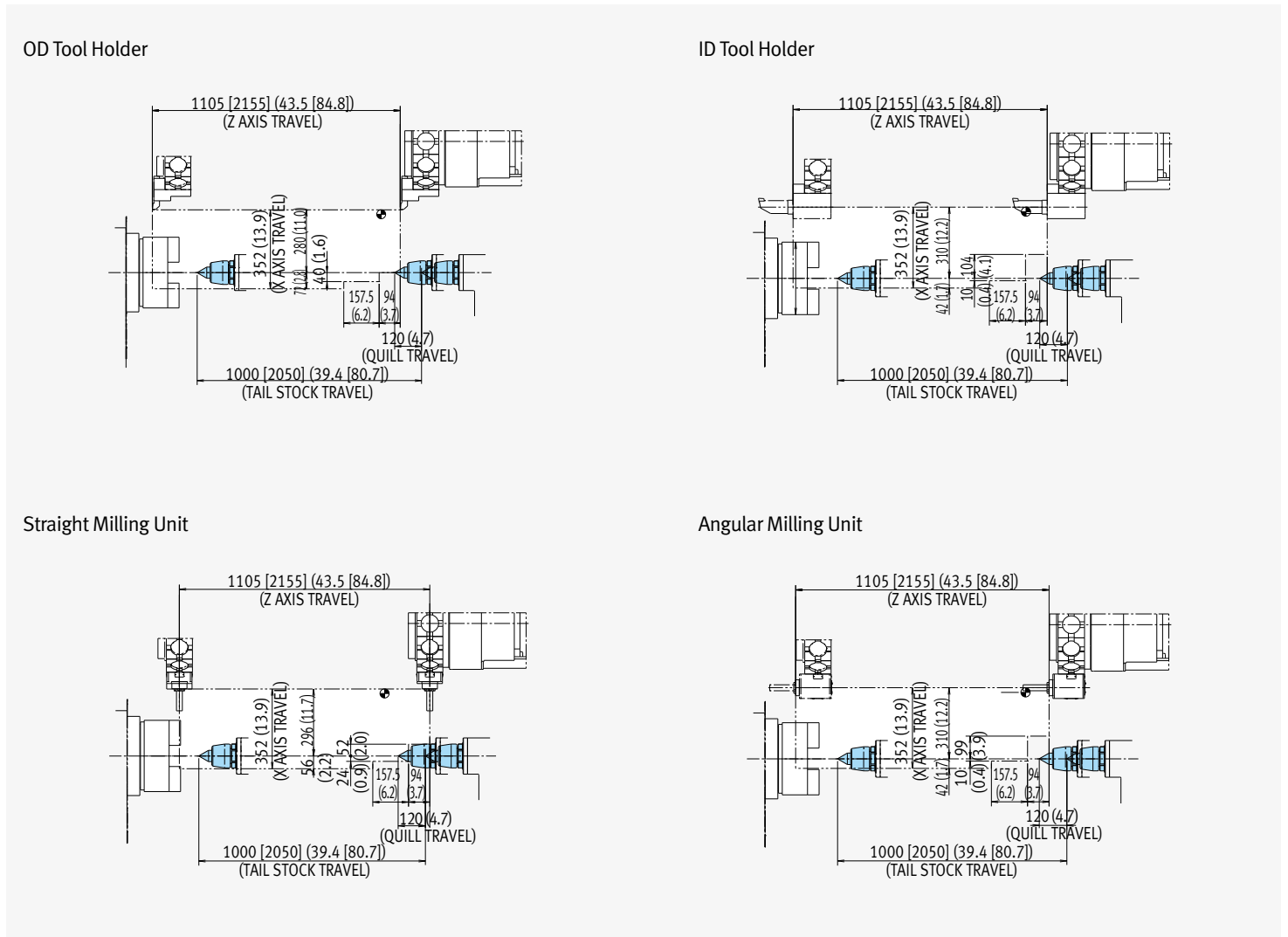
PUMA 4100[L]

Unit : mm (inch)



PUMA 4100M[LM]

Unit : mm (inch)



Working Range Diagram

Basic Information

Basic Structure
Cutting
Performance

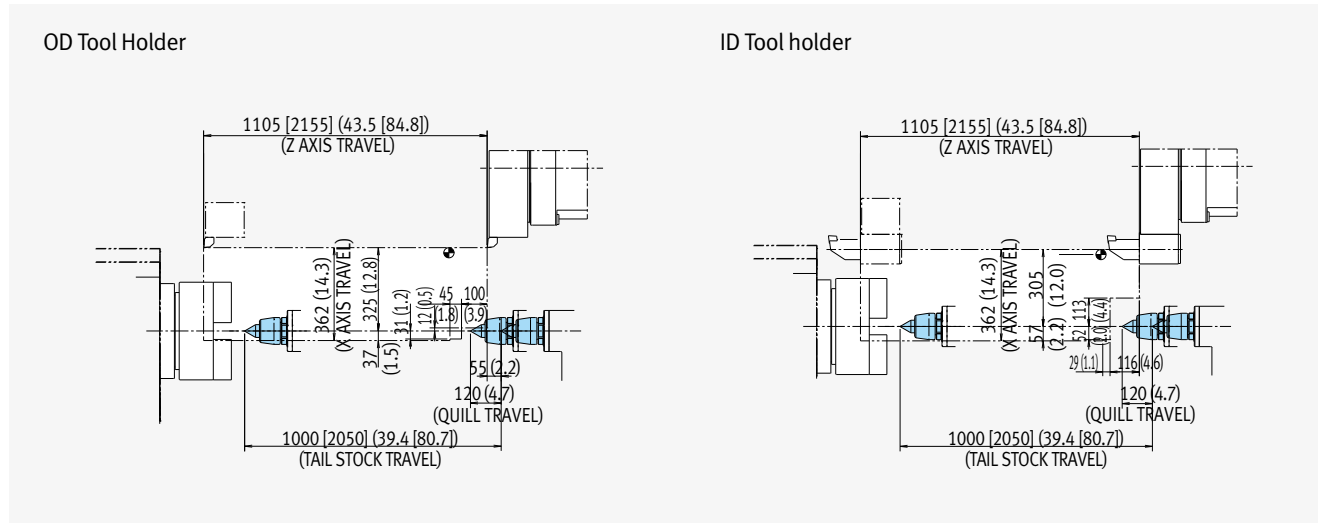
Detailed Information

Options
Applications
Capacity Diagram
Specifications

Customer Support Service

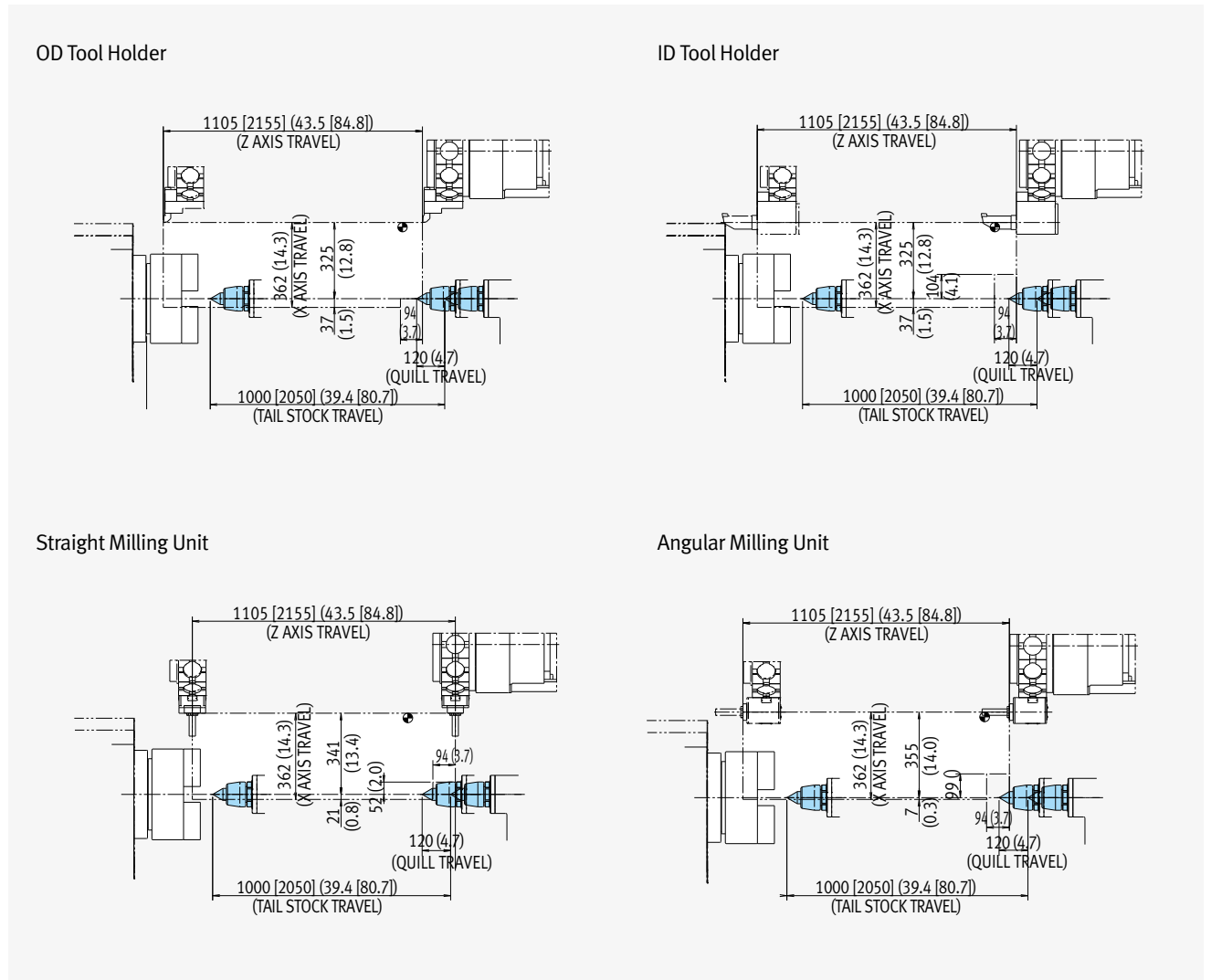
PUMA 5100[L]

Unit : mm (inch)



PUMA 5100M[LM]

Unit : mm (inch)

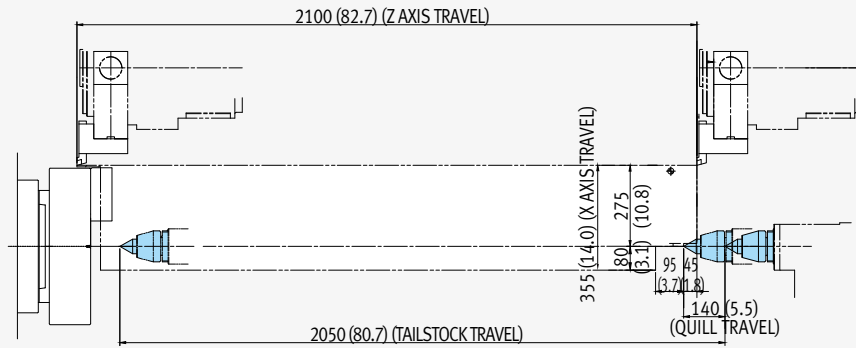


Working Range Diagram

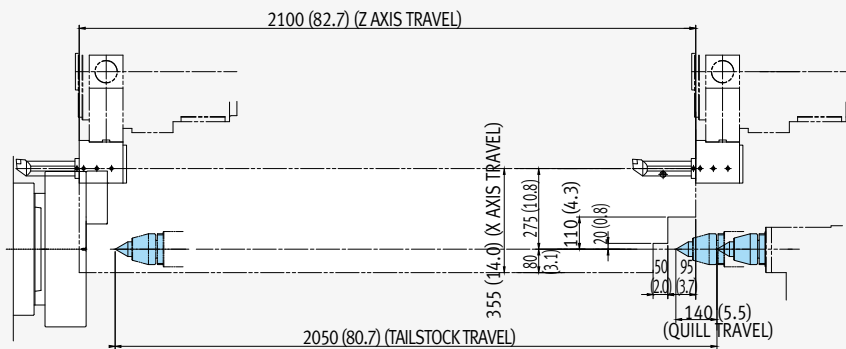
PUMA 5100LY

Unit : mm (inch)

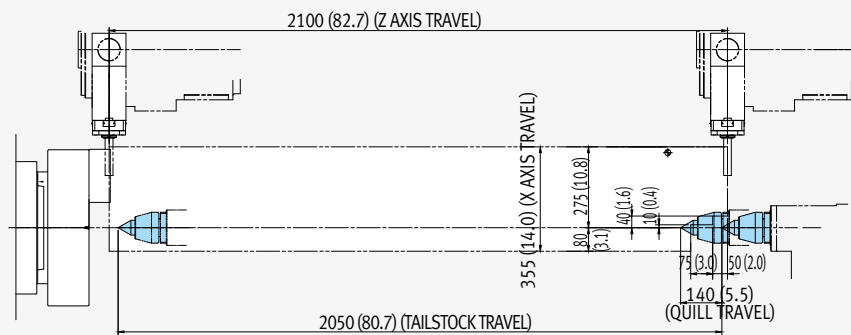
OD Tool Holder



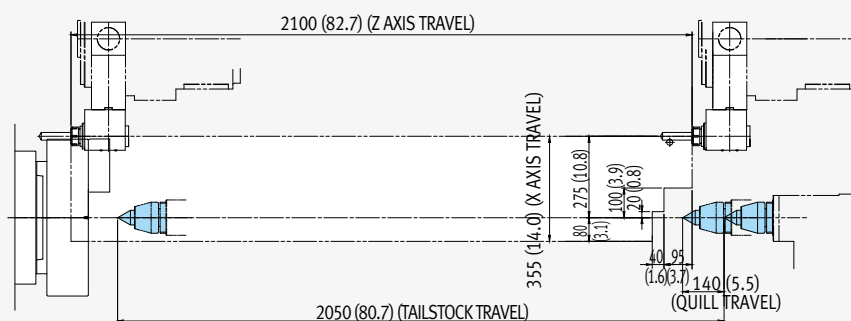
ID Tool Holder



Straight Milling Unit



Angular Milling Unit



Machine Specifications

Basic Information

Basic Structure
Cutting
Performance

Detailed Information

Options
Applications
Capacity Diagram
Specifications

Customer Support Service



Description		Unit	PUMA 4100A[LA]	PUMA 4100B[LB]	PUMA 4100C[LC]	PUMA 4100MA[LMA]	
Capacity	Swing over bed	mm(inch)	790 (31.1)				
	Swing over saddle	mm(inch)	590 (22.0)				
	Recom. turning diameter	mm(inch)	315 (12.4)	380 (15.0)		315 (12.4)	
	Max. turning diameter	mm(inch)	550 (21.7)				
	Max. turning length	mm(inch)	1079 [2129] (42.5 [83.8])	1043 [2093] (41.1 [82.4])	1024 [2074] (40.3 [81.7])	1014 [2064] (39.9 [81.3])	
	Chuck size	inch	12	15	21	12	
	Spindle through hole diameter	mm(inch)	102 (4.0)	116.5 (4.6)	165.5 (6.5)	102 (4.0)	
Travels	Travel distance	X-axis	mm(inch)	352 (13.9)			
		Z-axis	mm(inch)	1105 [2155] (43.5 [84.8])			
		Y-axis	mm(inch)	-			
Feedrates	Rapid traverse rate	X-axis	m/min (ipm)	16 (629.9)			
		Z-axis	m/min (ipm)	20 [18] (787.4 [708.7])			
		Y-axis	m/min (ipm)	-			
Main Spindle	Max. spindle speed	r/min	3000	2000	1500	3000	
	Main spindle motor power (30min / Cont.)	kW(Hp)	35 (S3 25%) / 26 / 22 (46.9(S3 25%) / 34.9 / 29.5)		37 / 30 (49.6 / 40.2)	30 / 22 (40.2 / 29.5)	
	Max. spindle torque	N·m(ft·lb)	1584 (1169.0)	2379 (1755.7)	3280 (2420.6)	832 (614.0)	
	Spindle nose	ASA	A2-11	A2-11	A1-15	A2-11	
	Spindle bearing diameter (Front)	mm(inch)	160 (6.3)	180 (7.1)	240 (9.4)	160 (6.3)	
	Max. spindle through hole diameter	mm(inch)	102 (4.0)	132 (5.2)	181 (7.1)	102 (4.0)	
	Min. spindle indexing angle (C-axis)	deg	-				
Turret	No. of tool stations	ea	12 {10}*	10 {12}*			
	OD tool size	mm(inch)	32 x 32 (1.3 x 1.3)				
	Max. boring bar size	mm(inch)	60 (2.4)				
	Turret indexing time (1 station swivel)	s	0.25				
	Max. rotary tool speed	r/min	-				
	Rotary tool motor power (S3 15% / S3 25% / 30min / Cont.)	kW(Hp)	-				
Tailstock	Tailstock travel	mm(inch)	1000 [2050] (39.4 [80.7])				
	Quill diameter	mm(inch)	120 (4.7)				
	Quill travel	mm(inch)	120 (4.7)				
	Quill bore taper	MT	MT#6 {#5(Dead)}*				
Power Source	Electric power supply (rated capacity)	kVA	42.25	42.25	51.05	43.18	
Machine Dimensions	Length	mm(inch)	4654 [5774] (183.2 [227.3])				
	Width	mm(inch)	2056 [2275] (80.9 [89.6])				
	Height	mm(inch)	2194 [2222] (86.4 [2222])				
	Weight	kg(lb)	9450 [10900] (20833.4 [24030.0])	9550 [11400] (21053.8 [25132.3])	10450 [11900] (23038.0 [26234.6])	9600 [11100] (21164.1 [24470.9])	
Control	NC system	-					

PUMA 4100MB[LMB]	PUMA 4100MC[LMC]	PUMA 5100A[LA]	PUMA 5100B[LB]	PUMA 5100C[LC]	PUMA 5100MA[LMA]	PUMA 5100MB[LMB]	PUMA 5100LYA	PUMA 5100LYB	PUMA 5100LYC
				900 (35.4)				880 (34.6)	
				690 (27.2)				817 (32.2)	
	380 (15.0)			380 (15.0)				380 (15.0)	
	560 (22.0)			650 (25.6)				550 (21.7)	
978 [2028] (38.5 [79.8])	959 [2009] (37.8 [79.1])	992 [2042] (39.1 [80.4])			951 [2001] (37.4 [78.8])		2050 (80.7)	2020 (79.5)	
15	21	15	21	-	15	21	15	21	-
116.5 (4.6)	165.5 (6.5)	116.5 (4.6)	165.5 (6.5)	-	116.5 (4.6)	165.5 (6.5)	116.5 (4.6)	165.5 (6.5)	-
				362 (14.3)				355 (14.0)	
				1105 [2155] (43.5 [84.8])				2100 (82.7)	
				-				150 (5.9)	
				16 (629.9)				20 (787.4)	
				20 [18] (787.4 [708.7])				18 (708.7)	
				-				10 (393.7)	
2000	1500	2000	1500	1000	2000	1500	2000	1500	1000
30 / 22 (40.2 / 29.5)	37 / 30 (49.6 / 40.2)	37 / 30 (49.6 / 40.2)	45 / 37 (60.3 / 49.6)		37 / 30 (49.6 / 40.2)	45 / 37 (60.3 / 49.6)	37 / 30 (49.6 / 40.2)	45 / 37 (60.3 / 49.6)	
1611 (1188.9)	2432 (1794.8)	3280 (2420.6)	4038 (2980.0)	4463 (3293.7)	2432 (1794.8)	2957 (2182.3)	2431 (1794.1)	2957 (2182.3)	3268 (2411.8)
A2-11	A1-15	A2-11	A1-15	ISO 702-4 No.20	A2-11	A1-15	A2-11	A1-15	ISO 702-4 No.20
180 (7.1)	240 (9.4)	180 (7.1)	240 (9.4)	340 (13.4)	180 (7.1)	240 (9.4)	180 (7.1)	240 (9.4)	340 (13.4)
132 (5.2)	181 (7.1)	132 (5.2)	181 (7.1)	275 (10.8)	132 (5.2)	181 (7.1)	132 (5.2)	181 (7.1)	275 (10.8)
0.001				-		0.001		0.001	
12				10 {12}*		12		12	
25 x 25 (1.0 x 1.0)			32 x 32 (1.3 x 1.3)		25 x 25 {32 x 32}* (1.0 x 1.0 {1.3 x 1.3}*)			25 x 25 {32 x 32}* (1.0 x 1.0 {1.3 x 1.3}*)	
60 (2.4)			80 (3.1)		60 (2.4)			60 (2.4)	
0.25			0.25		0.25			0.25	
4000			-		4000			4000	
23 / 15 / 11 / 7.5 (30.8 / 20.1 / 14.8 / 10.1)					23 / 15 / 11 / 7.5 (30.8 / 20.1 / 14.8 / 10.1)			23 / 15 / 11 / 7.5 (30.8 / 20.1 / 14.8 / 10.1)	
				1000 [2050] (39.4 [80.7])				2050 (80.7)	
				120 (4.7)				120 (4.7)	
				120 (4.7)				140 (5.5)	
				MT#6 {#5(Dead)}*				MT#6 {#5(Dead)}*	
43.18	51.98	52.55	60.25	60.25	53.86	61.56		63.7	
4685 [5774] (184.4 [227.3])		4654 [5774] (183.2 [227.3])			4685 [5774] (184.4 [227.3])			5980 (235.4)	
2056 [2275] (80.9 [89.6])		2056 [2275] (80.9 [89.6])			2056 [2275] (80.9 [89.6])			2522 (99.3)	
2194 [2222] (86.4 [2222])		2194 [2222] (86.4 [2222])			2194 [2222] (86.4 [2222])			2885 (113.6)	
10100 [11600] (22266.4 [25573.2])	10600 [12100] (23368.7 [26675.5])	10100 [11550] (22266.4 [25463.0])	10150 [11600] (22376.6 [25573.2])	10650 [12100] (23478.9 [26675.5])	10250 [11750] (22597.0 [25903.9])	10300 [11800] (22707.3 [26014.2])		13000 (28659.7)	

DOOSAN FANUC i / FANUC 32i (SIEMENS S828D / S840D **)

* { } : Option

** : Please contact Doosan

NC Unit Specifications

● Standard ○ Optional X N/A

FANUC

Basic Information

Basic Structure
Cutting
Performance

Detailed Information

Options
Applications
Capacity Diagram
Specifications

Customer Support Service

No.	Item	DOOSAN FANUC i			FANUC 32i		
		2-axis	M	Y	2-axis	M	Y
1	Controlled axes	2(X,Z)	3(X,Z,C)	4(X,Z,C,Y)	2(X,Z)	3(X,Z,C)	4(X,Z,C,Y)
2	Simultaneously controlled axes	2 axes	3 axes	4 axes	2 axes	3 axes	4 axes
3	Cs contouring control	X	●	●	X	●	●
4	Torque control	●	●	●	●	●	●
5	HRV2 control	●	●	●	●	●	●
6	Inch/metric conversion	●	●	●	●	●	●
7	Stored stroke check 1	●	●	●	●	●	●
8	Stored stroke check 2,3	●	●	●	○	○	○
9	Stored limit check before move	●	●	●	○	○	○
10	Chamfering on/off	●	●	●	●	●	●
11	Unexpected disturbance torque detection function	●	●	●	●	●	●
12	Position switch	●	●	●	●	●	●
13	DNC operation	Included in RS232C interface.	●	●	●	●	●
14	DNC operation with memory card		●	●	●	●	●
15	Tool retract and recover	X	X	X	○	○	○
16	Wrong operation prevention	●	●	●	●	●	●
17	Dry run	●	●	●	●	●	●
18	Single block	●	●	●	●	●	●
19	Reference position shift	●	●	●	●	●	●
20	Handle interruption	●	●	●	●	●	●
21	Incremental feed	x1, x10, x100	●	●	●	●	●
22	Manual handle retrace		○	○	○	○	○
23	Active block cancel	X	X	X	○	○	○
24	Nano interpolation	●	●	●	●	●	●
25	Linear interpolation	●	●	●	●	●	●
26	Circular interpolation	●	●	●	●	●	●
27	Polar coordinate interpolation	X	●	●	X	●	●
28	Cylindrical interpolation	X	●	●	X	●	●
29	Helical interpolation	X	○	●	X	○	●
30	Thread cutting, synchronous cutting	●	●	●	●	●	●
31	Multi threading	●	●	●	●	●	●
32	Thread cutting retract	●	●	●	●	●	●
33	Continuous threading	●	●	●	●	●	●
34	Variable lead thread cutting	●	●	●	●	●	●
35	Circular thread cutting	X	X	X	○	○	○
36	Polygon machining with two spindles	X	●	●	X	○	○
37	High-speed skip	Input signal is 8 points.	●	●	●	○	○
38	2nd reference position return	G30	●	●	●	●	●
39	3rd/4th reference position return		●	●	●	○	○
40	Override cancel		●	●	●	●	●
41	AI contour control I		○	○	○	○	●
42	AI contour control II		○	○	○	○	○
43	Rapid traverse block overlap		●	●	●	●	●
44	Optional block skip	9 pieces	●	●	●	●	●
45	Absolute/incremental programming	Combined use in the same block	●	●	●	●	●
46	Diameter/Radius programming		●	●	●	●	●
47	Automatic coordinate system setting		●	●	●	●	●
48	Workpiece coordinate system	Part program storage size	●	●	●	●	●
49	Workpiece coordinate system preset		●	●	●	○	○
50	Addition of workpiece coordinate system	48 pairs	X	X	X	○	○
51	Direct drawing dimension programming		●	●	●	●	●
52	G code system	A	●	●	●	●	●
53	G code system	B/C	●	●	●	●	●

No.	Item		DOOSAN FANUC i			FANUC 32i			
			2-axis	M	Y	2-axis	M	Y	
54	PROGRAM INPUT	Chamfering/Corner R	●	●	●	○	○	○	
55		Custom macro	●	●	●	●	●	●	
56		Addition of custom macro common variables	#100 - #199, #500 - #999	●	●	●	○	○	○
57		Interruption type custom macro		●	●	●	○	○	○
58		Canned cycle		●	●	●	●	●	●
59		Multiple repetitive cycles	G70~G76	●	●	●	●	●	●
60		Multiple repetitive cycles II	Pocket profile	●	●	●	●	●	●
61		Canned cycle for drilling		●	●	●	●	●	●
62		Automatic corner override		X	X	X	○	○	○
63		Coordinate system shift		●	●	●	●	●	●
64		Direct input of coordinate system shift		●	●	●	●	●	●
65	Pattern data input		●	●	●	○	○	○	
66	OPERATION GUIDANCE FUNCTION	EZ Guidei(Conversational Programming Solution)	●	●	●	●	●	●	
67		EZ Operation package		●	●	●	●	●	●
68	AUXILIARY / SPINDLE SPEED FUNCTION	Constant surface speed control	●	●	●	●	●	●	
69		Spindle override	0 - 150%	●	●	●	●	●	●
70		Spindle orientation		●	●	●	●	●	●
71		Rigid tap		●	●	●	●	●	●
72		Arbitrary speed threading		○	○	○	○	○	○
73	TOOL FUNCTION / TOOL COMPENSATION	Tool offset pairs	32-pairs	X	X	X	X	X	X
74			64-pairs	●	●	●	●	●	●
75			99-pairs	○	○	○	○	○	○
76			200-pairs	X	X	X	○	○	○
77			400-pairs	X	X	X	○	○	○
78			499-pairs	X	X	X	○	○	○
79			999-pairs	X	X	X	○	○	○
80			2000-pairs	X	X	X	○	○	○
81		Tool offset		●	●	●	●	●	●
82		Tool radius/Tool nose radius compensation		●	●	●	●	●	●
83	Tool geometry/wear compensation		●	●	●	●	●	●	
84	Automatic tool offset		●	●	●	●	●	●	
85	Direct input of offset value measured B		●	●	●	●	●	●	
86	Tool life management		●	●	●	●	●	●	
87	ACCURACY COMPENSATION FUNCTION	Backlash compensation for each rapid traverse and cutting feed	●	●	●	●	●	●	
88		Stored pitch error compensation		●	●	●	●	●	●
89	EDITING OPERATION	Part program storage size & Number of registerable programs	640M(256KB)_500 programs	X	X	X	●	●	●
90			1280M(512KB)_1000 programs	X	X	X	○	○	○
91			2560M(1MB)_1000 programs	X	X	X	○	○	○
92			5120M(2MB)_1000 programs	X	X	X	○	○	○
93			1280M(512KB)_400 programs	●	●	●	X	X	X
94			5120M(2MB)_400 programs	○	○	○	X	X	X
95	Program protect		●	●	●	●	●	●	
96	Password function		●	●	●	●	●	●	
97	DATA INPUT / OUTPUT	Fast data server	○	○	○	○	○	○	
98		External data input		●	●	●	○	○	○
99		Memory card input/output		●	●	●	●	●	●
100		USB memory input/output		●	●	●	●	●	●
101		Automatic data backup		○	○	○	○	○	●
102	INTERFACE FUNCTION	Embedded Ethernet	●	●	●	●	●	●	
103		Fast Ethernet		○	○	○	○	○	○
104	OTHERS	Display unit	10.4" color LCD	●	●	●	●	●	●
105			15" color LCD	X	X	X	○	○	○
106		Robot interface	with PMC I/O module	○	○	○	○	○	○
107			with PROFIBUS-DP	○	○	○	○	○	○

Responding to Customers Anytime, Anywhere

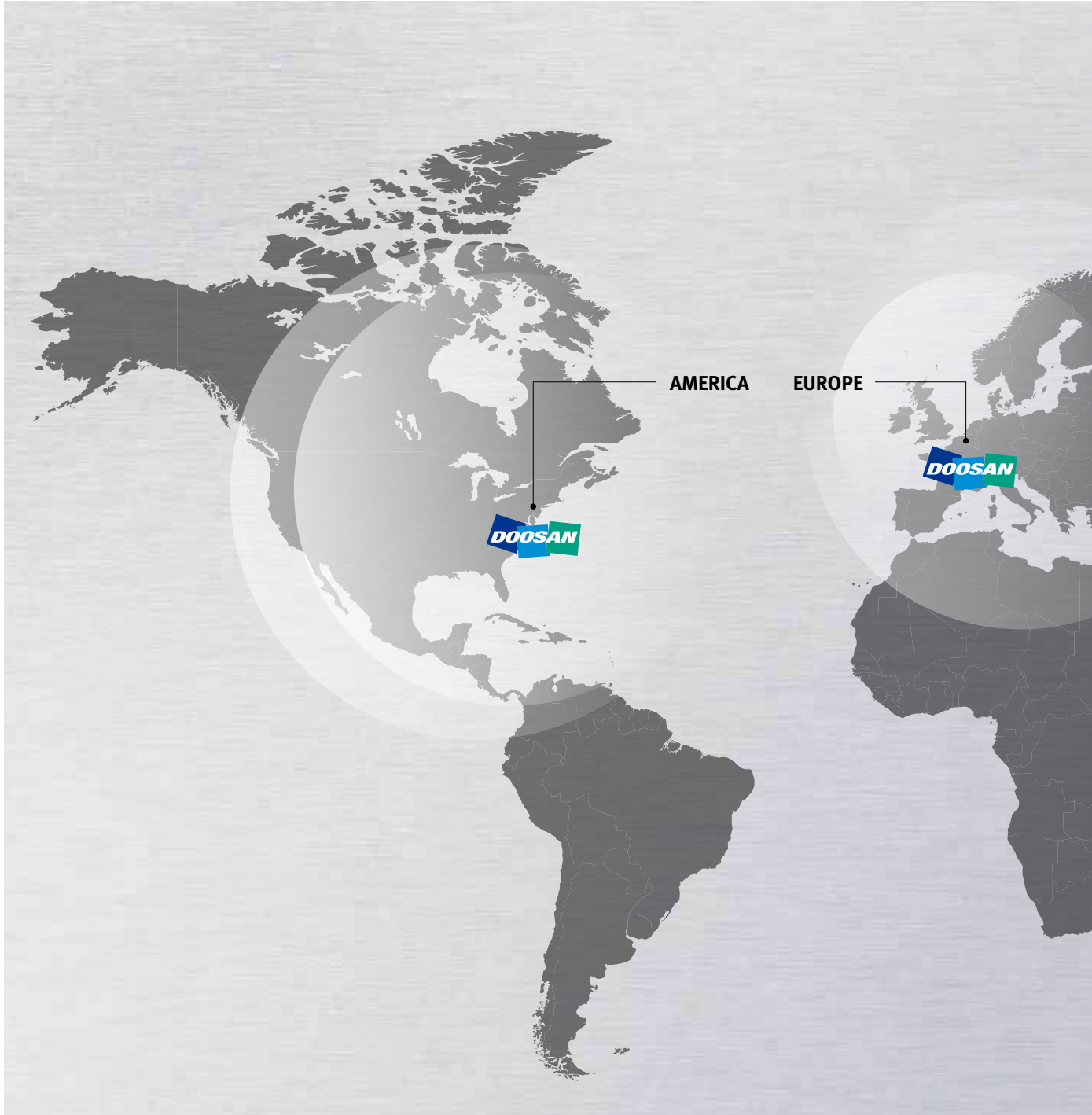
Basic Information

- Basic Structure
- Cutting
- Performance

Detailed Information

- Options
- Applications
- Capacity Diagram
- Specifications

Customer Support Service



Global Service Support Network

Corporations

5

Dealer Networks

122

Technical Centers

18

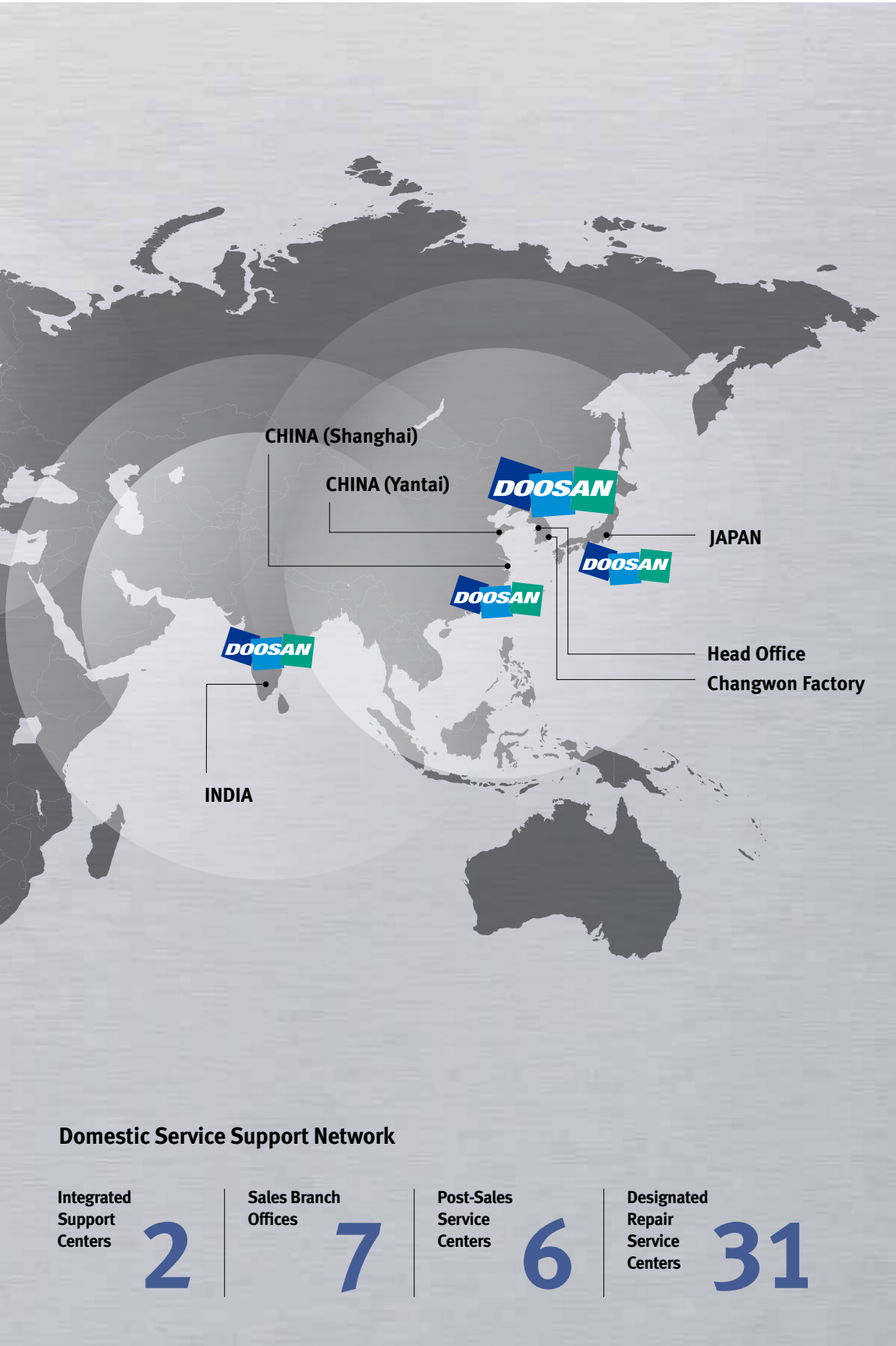
Factories

3

Technical Center: Sales Support, Service Support, Parts Support

Doosan Machine Tools' Global Network, Responding to Customer's Needs nearby, Anytime, Anywhere

Doosan machine tools provides a system-based professional support service before and after the machine tool sale by responding quickly and efficiently to customers' demands. By supplying spare parts, product training, field service and technical support, we can provide top class support to our customers around the world.



Customer Support Service

We help customers to achieve success by providing a variety of professional services from pre-sales consultancy to post-sales support.

Supplying Parts



- Supplying a wide range of original Doosan spare parts
- Parts repair service

Field Services



- On site service
- Machine installation and testing
- Scheduled preventive maintenance
- Machine repair

Technical Support



- Supports machining methods and technology
- Responds to technical queries
- Provides technical consultancy

Training



- Programming / machine setup and operation
- Electrical and mechanical maintenance
- Applications engineering

Major Specifications

PUMA 4100/5100 series



Description	Unit	PUMA 4100 series (A / B / C)	PUMA 5100 series (A / B / C)	PUMA 5100LY series (A / B / C)
Max. turning diameter	mm (inch)	550 (21.7)	650 (25.6)	550 (21.7)
Max. turning length [Std./L]*	mm (inch)	1000 [2000] (40 [80])	1000 [2000] (40 [80])	2000 (80)
Chuck size	inch	12 / 15 / 21	15 / 21 / Order made	15 / 21 / Order made
Spindle through hole diameter	mm (inch)	102 / 132 / 181 (4.0 / 5.2 / 7.1)	132 / 181 / 275 (5.2 / 7.1 / 10.8)	132 / 181 / 275 (5.2 / 7.1 / 10.8)
Max. spindle speed	r/min	3000 / 2000 / 1500	2000 / 1500 / 1000	2000 / 1500 / 1000
NC system	-	DOOSAN FANUC i / FANUC 32i (SIEMENSE S828D / S840D)		

* approximate value



Doosan Machine Tools

<http://www.doosanmachinetools.com>

www.facebook.com/doosanmachinetools

Optimal Solutions for the Future

Head Office

Yeonkang Bldg., 6th FL., 270, Yeonji-dong,
Jongno-gu, Seoul, Korea
Tel +82-2-3670-5345 / 5362
Fax +82-2-3670-5382

Doosan Machine Tools China

Room 101,201,301, Building 39 Xinzhuan Highway
No.258 Songjiang District,China Shanghai(201612)
Tel +86 21-5445-1155
Fax +86 21-6405-1472

Doosan Machine Tools Japan

#2412, Mita Kokusai Bldg. 1-4-28 Mita,
Minato-ku, Tokyo 108-0073, Japan
Tel +81 3 5730 9013
Fax +81 3 5730 9016

Doosan Machine Tools America

19A Chapin Rd., Pine Brook, NJ 07058, U.S.A.
Tel +1-973-618-2500
Fax +1-973-618-2501

Doosan Machine Tools Europe

Emdener Strasse 24, D-41540 Dormagen, Germany
Tel +49-2133-5067-100
Fax +49-2133-5067-001


Doosan Machine Tools India

106 / 10-11-12, Amruthahalli, Byatarayanapura,
Bellary road, Bangalore-560 092, India
Tel +91-80-4266-0122 / 121 / 100



* For more details, please contact Doosan Machine Tools.

* The specifications and information above-mentioned may be changed without prior notice.

* Doosan Machine Tools Co., Ltd. is a subsidiary of MBK Partners, a Korean private equity firm. The trademark  DOOSAN is used under a licensing agreement with Doosan Corporation, the registered trademark holder.